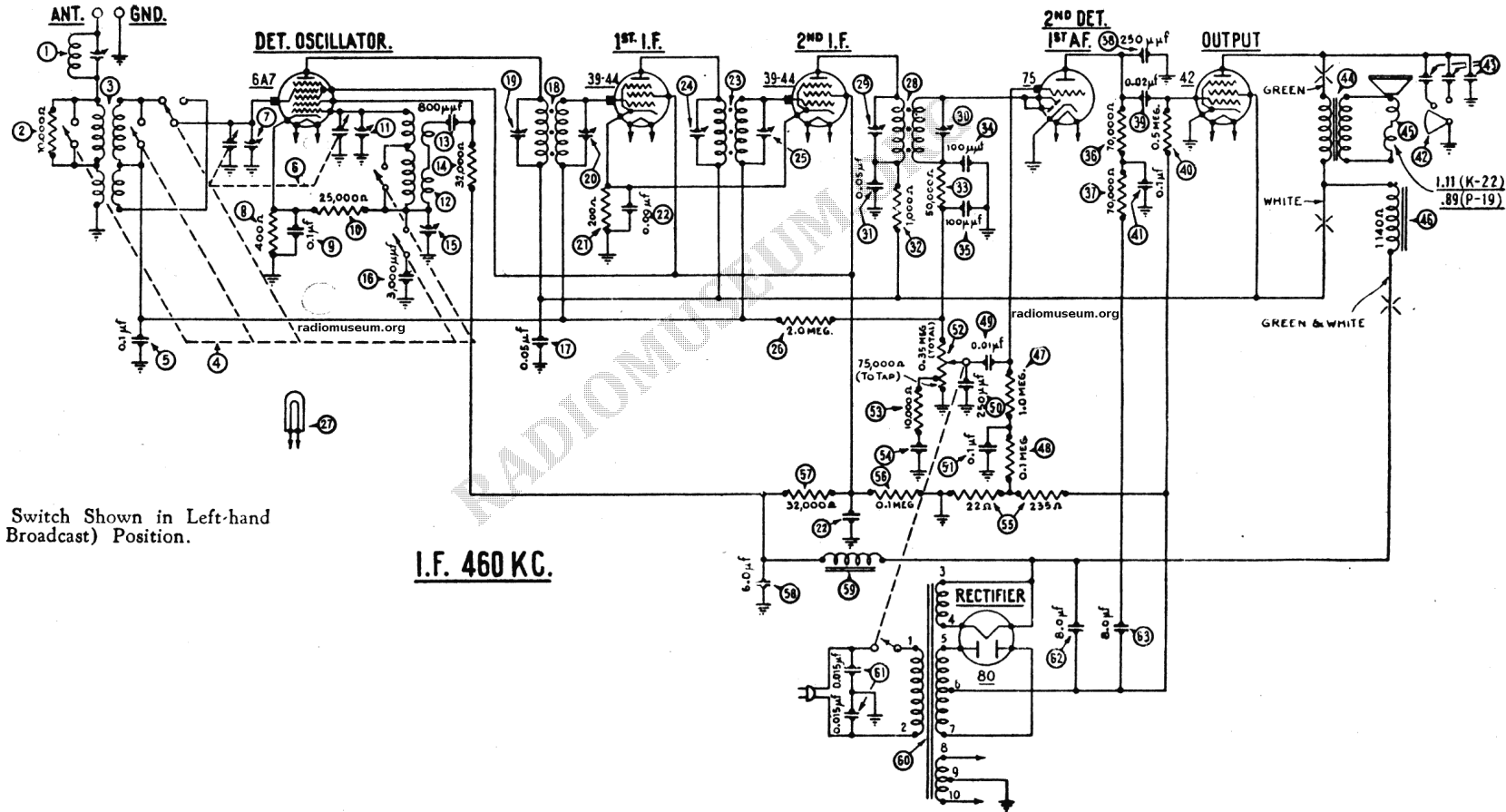


MODEL 45

williambacco@hotmail.com

radiomuseum.org

radiomuseum.org



Waveband Switch Shown in Left-hand
(Standard Broadcast) Position.

I.F. 460 KC.

Note: Resistor (21) is 500 ohms in current production.