

Continental Radio & Television Corp.

Model: 5N

Chassis:

Year: Pre June 1940

Power:

Circuit:

IF:

Tubes:

Bands:

Resources

Riders Volume 11 - CONTINENTAL 11-13

CONTINENTAL RADIO & TELEV. CORP. MODELS 5N, 5NL
Schematic, Socket
Alignment, Trimmers

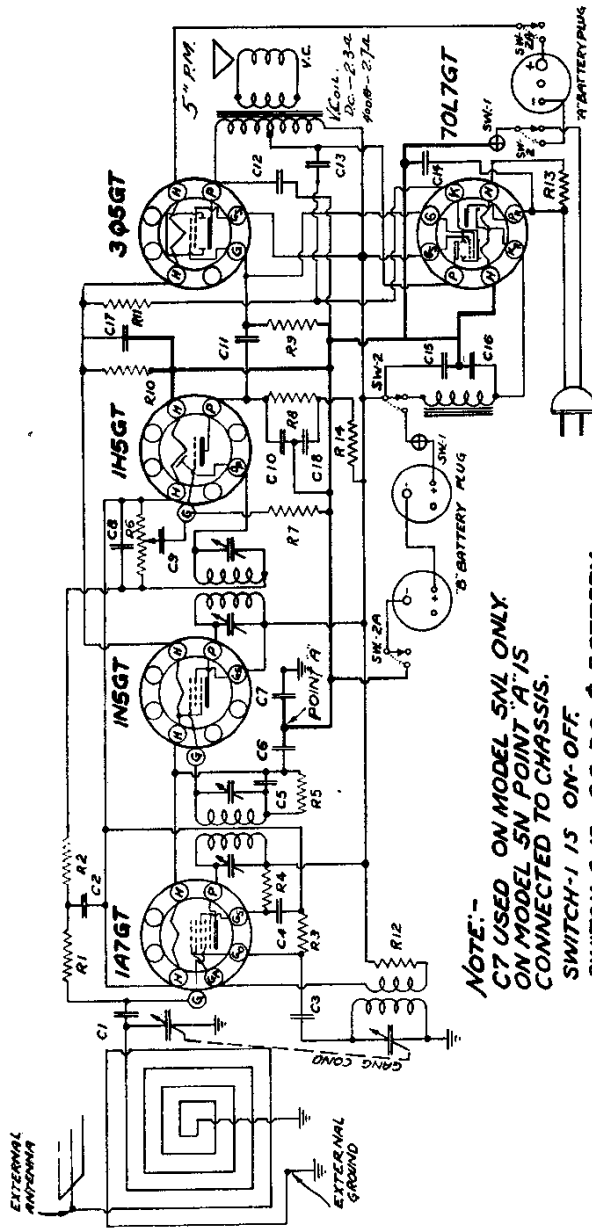
CONDENSERS

C1 -	.002	mfd.	600 volt
C2 -	.05	mfd.	400 volt
C3 -	.00005	mfd.	mica
C4 -	.05	mfd.	400 volt
C5 -	.002	mfd.	600 volt
C6 &			
C17 -	40-40	mfd.	25 volt elect.
C7 -	.25	mfd.	200 volt (used in 5NL only)
C8 -	.00025	mfd.	mica
C9 -	.01	mfd.	400 volt
C10 -	.00025	mfd.	mica
C11 -	.01	mfd.	400 volt
C12 -	.002	mfd.	600 volt
C13 -	.01	mfd.	400 volt
C14 -	.05	mfd.	400 volt
C15			
C16 -	20-30	mfd.	150 volt elect.
C18 -	.1	mfd.	200 volt

Gang Condenser
Trimmer Condenser

RESISTORS

R1 -	2,000,000	ohm	½ watt
R2 -	2,000,000	ohm	½ watt
R3 -	200,000	ohm	½ watt
R4 -	25,000	ohm	½ watt
R5 -	5,000,000	ohm	½ watt
R6 -	1,000,000	ohm	Volume Control & Switch
R7 -	5,000,000	ohm	½ watt
R8 -	250,000	ohm	½ watt
R9 -	500,000	ohm	½ watt
R10 -	1,000	ohm	½ watt 10%
R11 -	30	ohm	½ watt 10%
R12 -	750	ohm	½ watt
R13 -	335	ohm	10 watt
R14 -	100,000	ohm	½ watt



I.F. 455 KC

NOTE:-
C7 USED ON MODEL 5NL ONLY
ON MODEL 5N POINT "A" IS
CONNECTED TO CHASSIS.
SWITCH-1 IS ON-OFF.
SWITCH-2 IS AC-DC & BATTERY.
SWITCH-2 SHOWN FOR AC-DC.
IF 455 K.C.
ON MODEL 5N SWITCH, SWITCH 2A NOT USED.

SCHEMATIC DIAGRAM MODEL 5N & 5NL

- TUBE FUNCTIONS**
- 1A7GT - MIXER-OSCILLATOR
 - 1H5GT - I.F. AMPLIFIER
 - 1H5GT - 2ND DET-AVC-1ST A.F.
 - 3Q5GT - OUTPUT
 - 70L7GT - RECTIFIER

FOR CONVENTIONAL ALIGNMENT
SEE SPECIAL SECTION VOL. VIII.
TRIM OSC- 1550 KC, TRIM ANT- 1400 KC
PAD- 600 KC

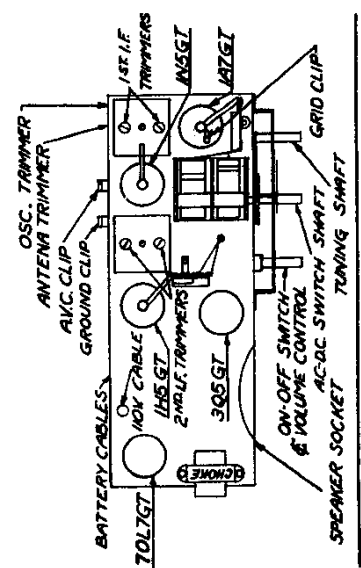


Fig. 1—Top View