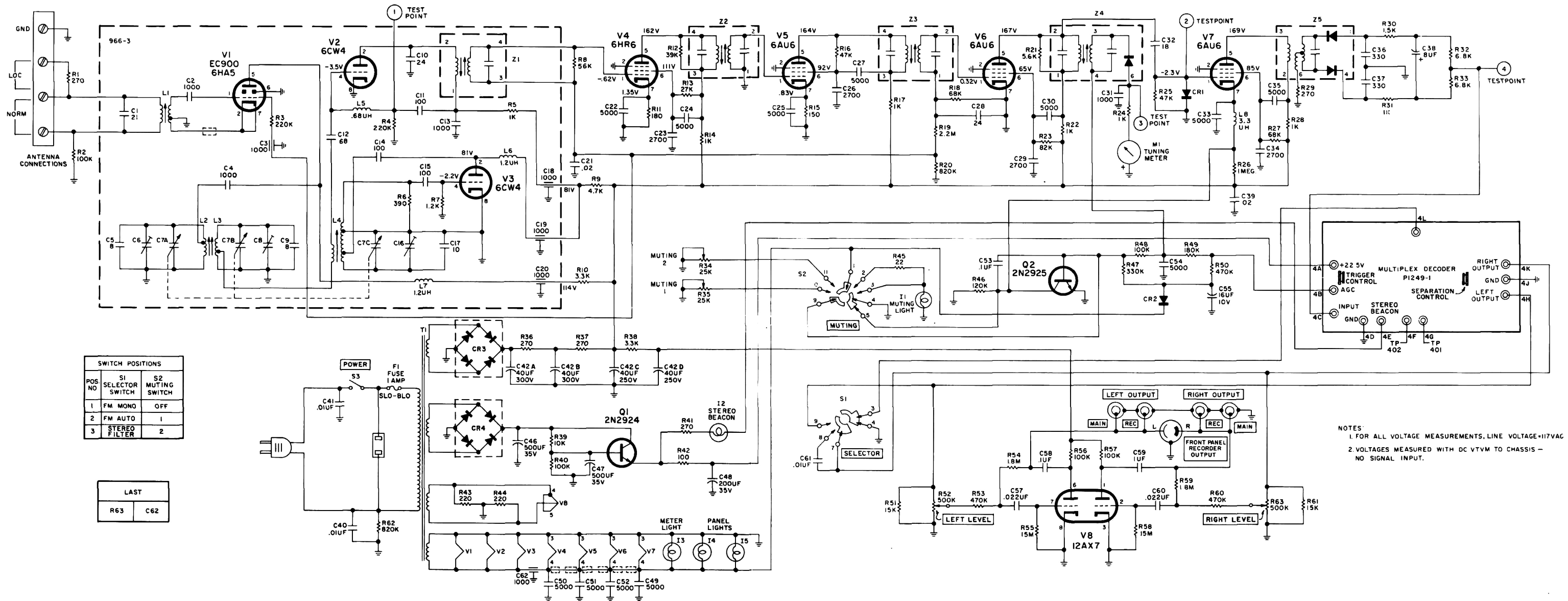


SCHEMATIC DIAGRAM



SWITCH POSITIONS		
POS NO	S1 SELECTOR SWITCH	S2 MUTING SWITCH
1	FM MONO	OFF
2	FM AUTO	1
3	STEREO FILTER	2

LAST	
R63	C62

NOTES:
 1. FOR ALL VOLTAGE MEASUREMENTS, LINE VOLTAGE=117VAC
 2. VOLTAGES MEASURED WITH DC VTVM TO CHASSIS - NO SIGNAL INPUT.

If replacement parts are out of stock, locally, they may be obtained directly from the Parts Department of FISHER Radio Corporation. They will be shipped "best way", either prepaid or C.O.D. unless otherwise specified.

For instrument-operation information and technical assistance write Richard Hamilton, Customer Service Department, FISHER Radio Corporation, Long Island City, New York 11101.

BECAUSE ITS PRODUCTS ARE SUBJECT TO CONTINUOUS IMPROVEMENT, FISHER RADIO CORPORATION RESERVES THE RIGHT TO MODIFY ANY DESIGN OR SPECIFICATION WITHOUT NOTICE AND WITHOUT INCURRING ANY OBLIGATION.