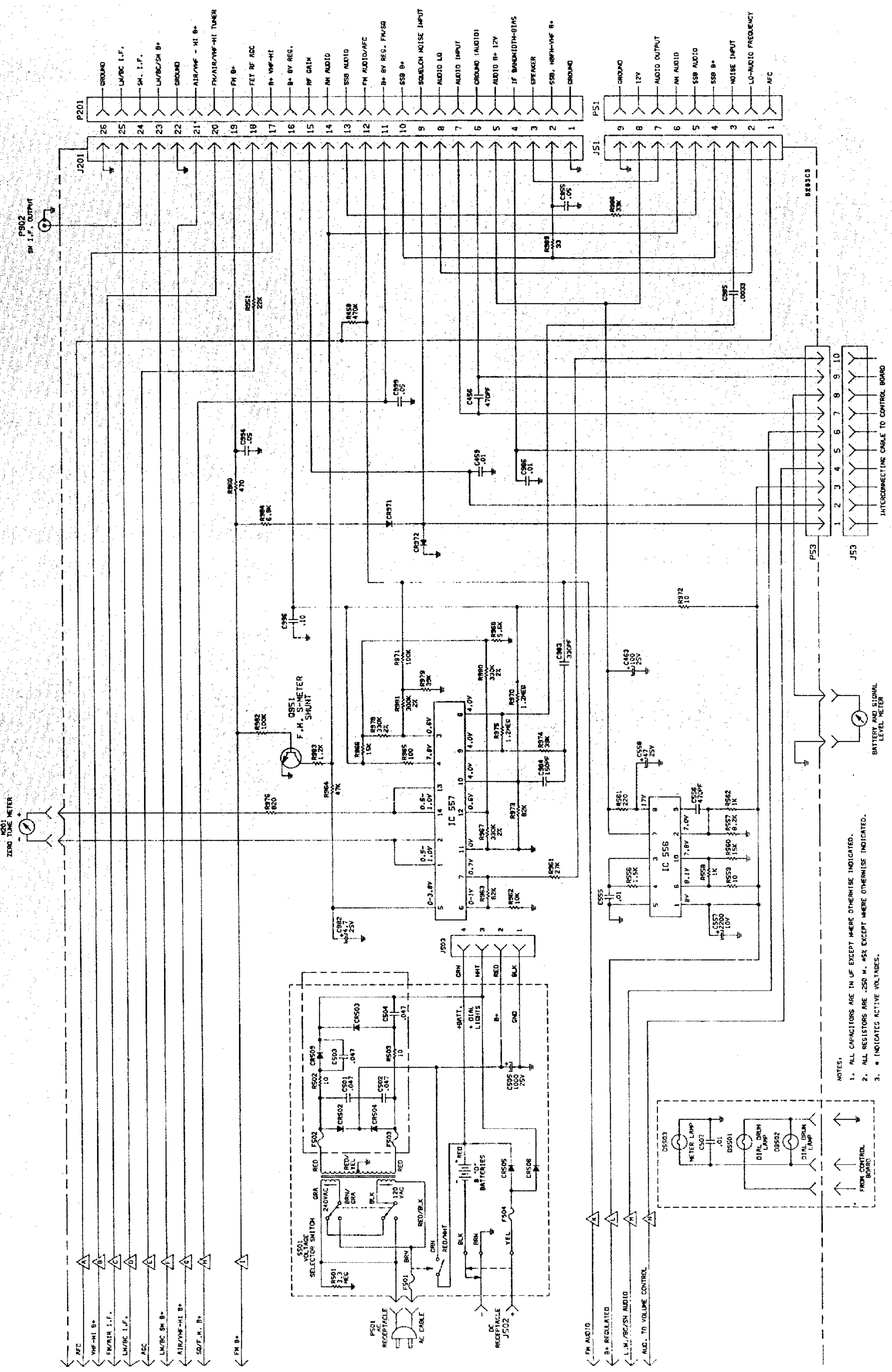
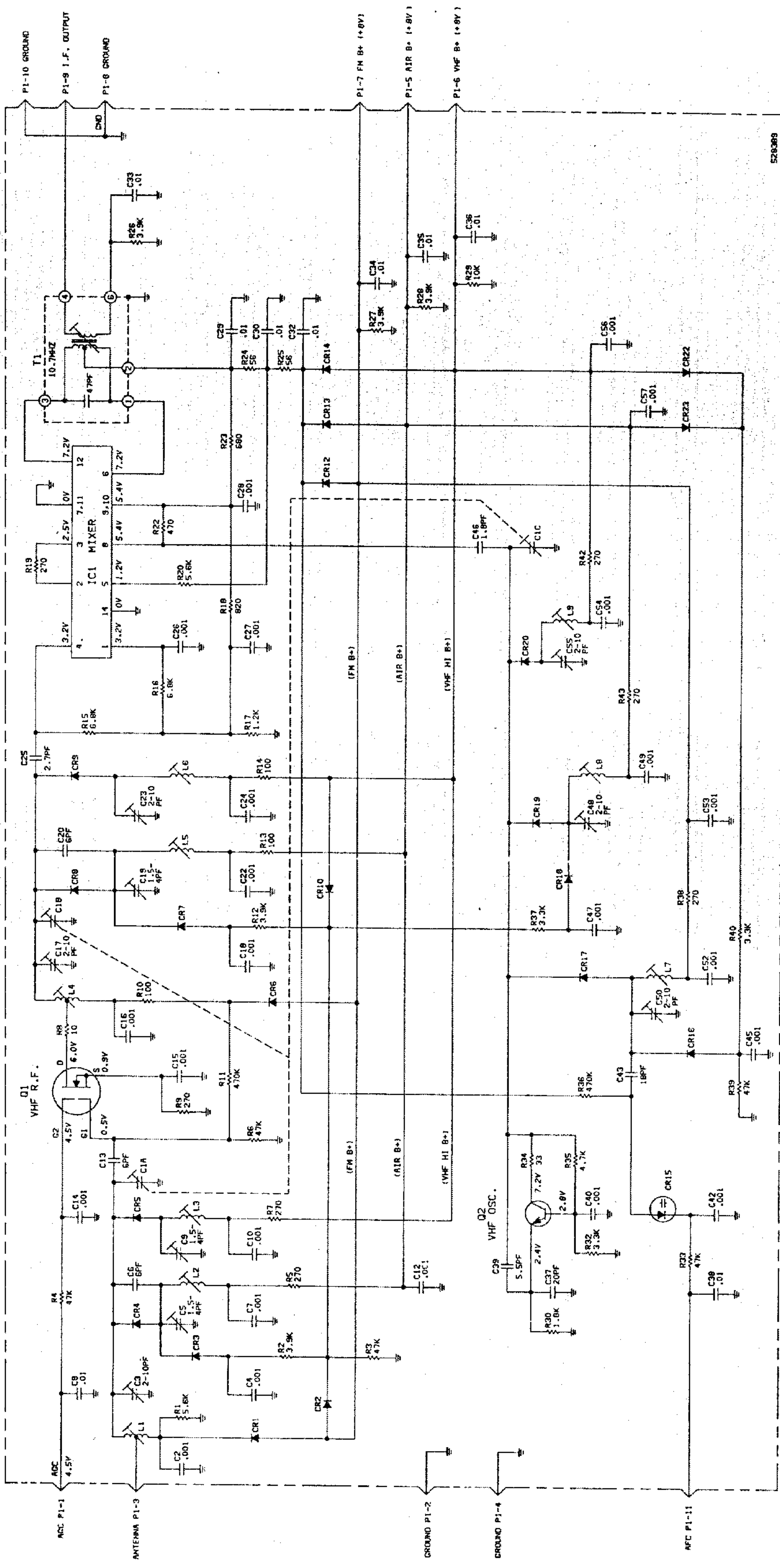


FIGURE C103 - BLOCK DIAGRAM, B+, AFC, AND AGC SIGNAL PATHS.



- NOTES:
1. ALL CAPACITORS ARE IN UF EXCEPT WHERE OTHERWISE INDICATED.
 2. ALL RESISTORS ARE .25W ±.45% EXCEPT WHERE OTHERWISE INDICATED.
 3. * INDICATES ACTIVE VOLTAGES.

FIGURE C105 — R7000, INTERCONNECT BOARD, WITH POWER SUPPLY CIRCUIT.



528-369

1.F. TERMINATION (BOTTOM VIEW)



TRANSISTOR LEAD LAYOUT (LEAD END VIEW)



- Q1 F.E.T. TYPE
- Q2 NPN TYPE
- B = BASE
- C = COLLECTOR
- E = EMITTER
- D = DRAIN
- G1 = GATE1
- G2 = GATE2
- S = SOURCE

- NOTES:
1. ALL CAPACITORS IN MF UNLESS OTHERWISE SPECIFIED.
 2. ALL RESISTORS ARE .250 WATTS, .5% TOLERANCE UNLESS OTHERWISE SPECIFIED.
 3. ALL VOLTAGES INDICATED ARE WHEN BAND IS ACTIVE.

FIGURE C106 - SCHEMATIC, FM/AIR/VHF TUNER.

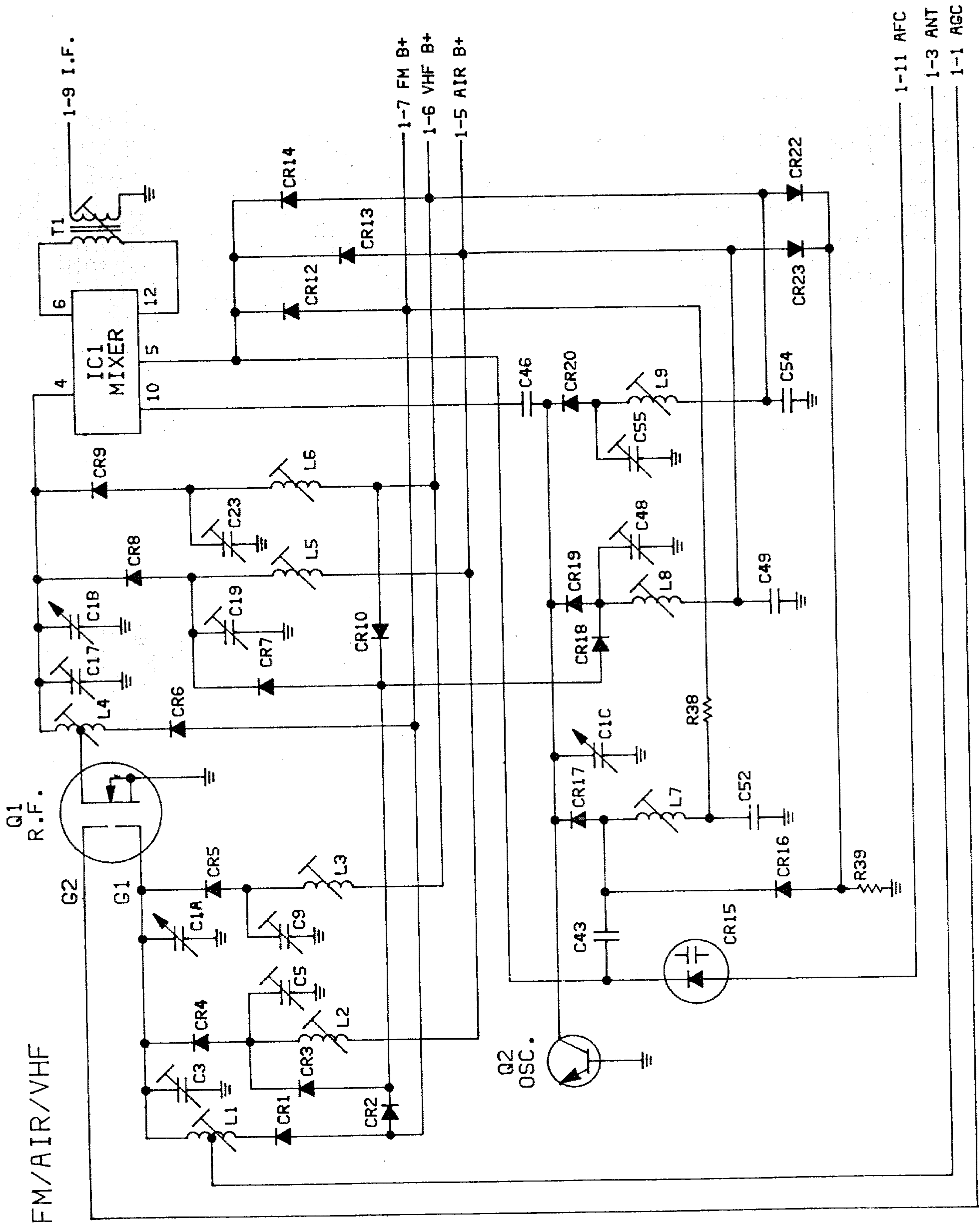


FIGURE C107 - R7000, BANDSWITCHING, SIMPLIFIED.

R7000, TRANSOCEANIC RADIO

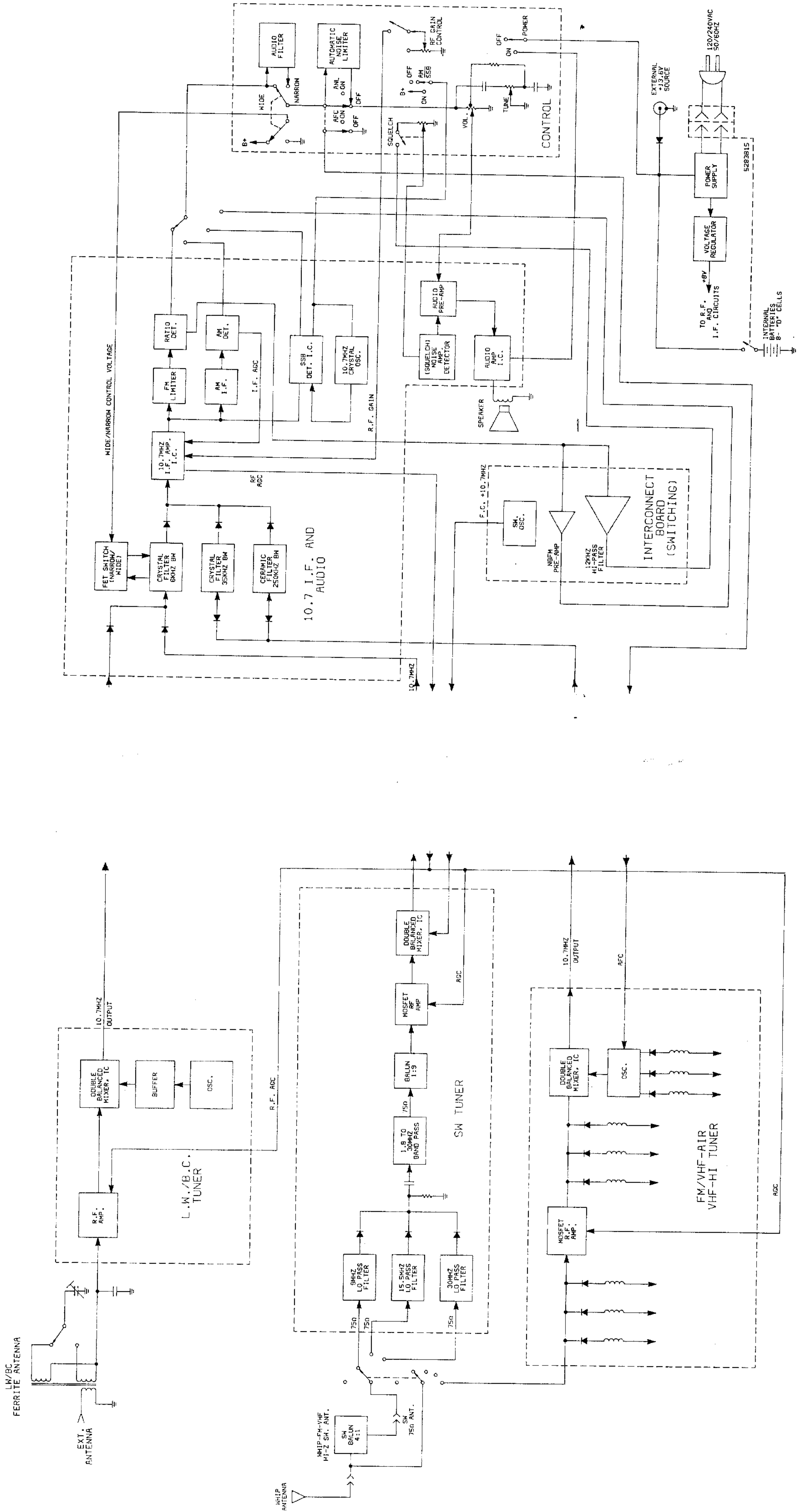


FIGURE C100 - R7000, OVERALL BLOCK DIAGRAM.

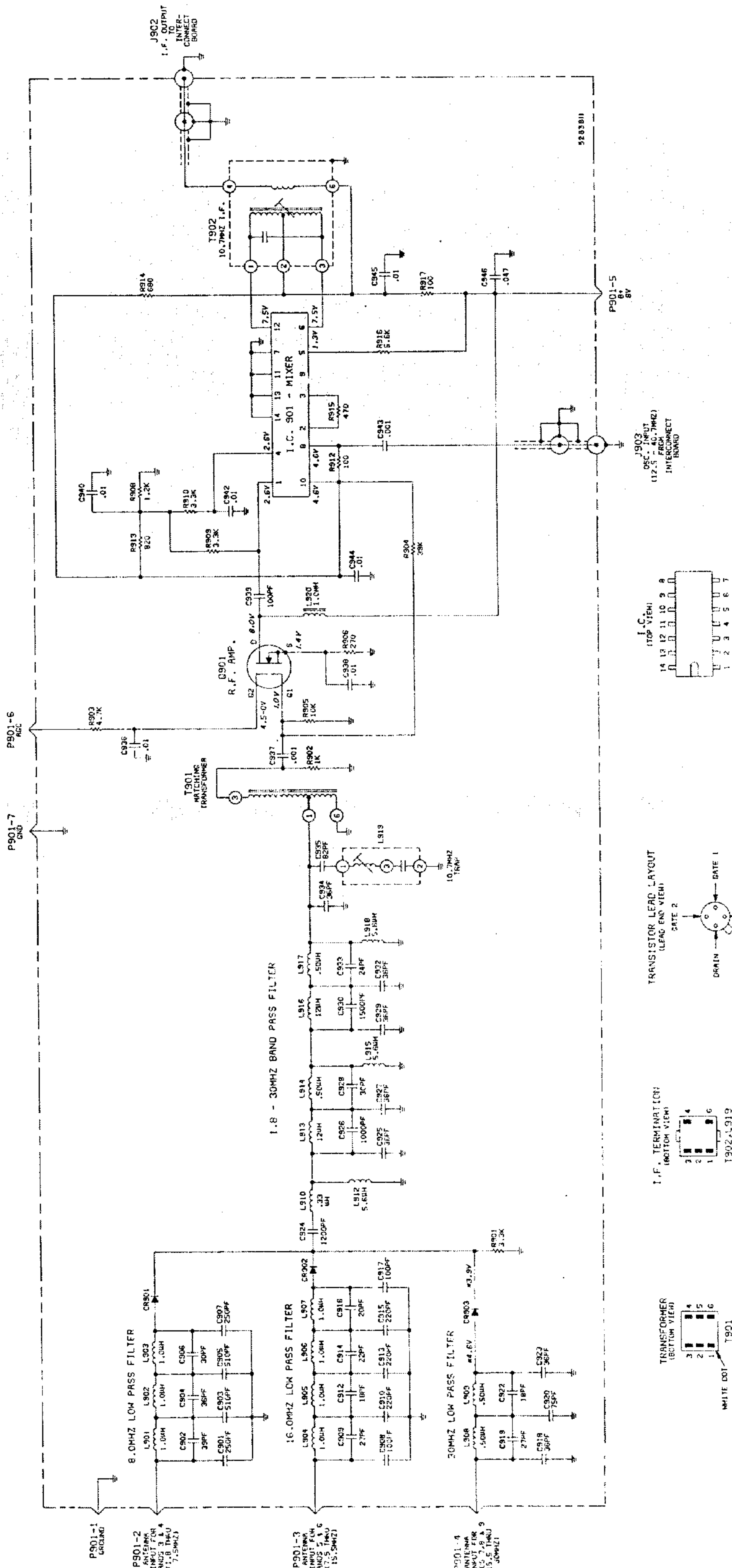
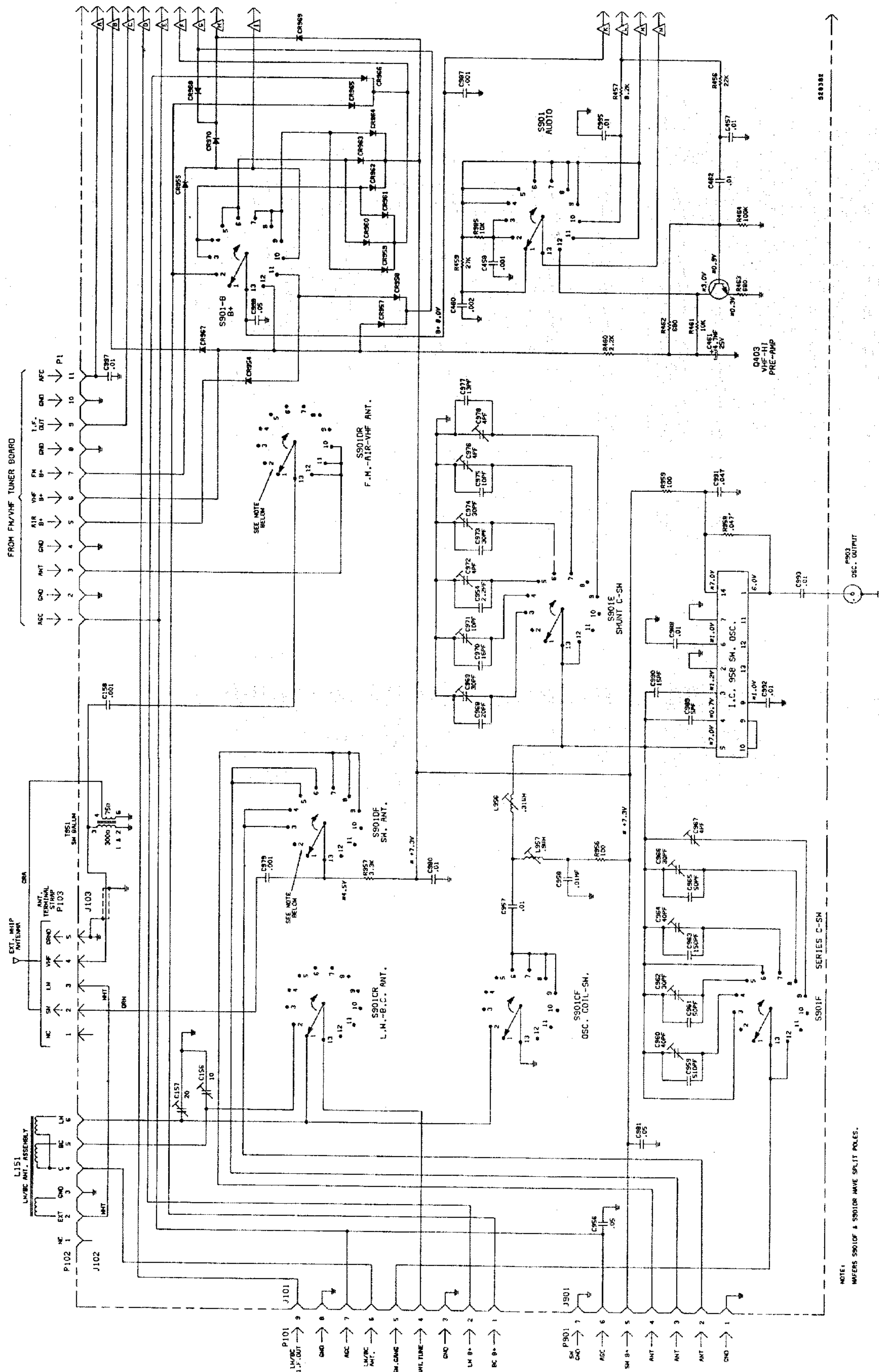
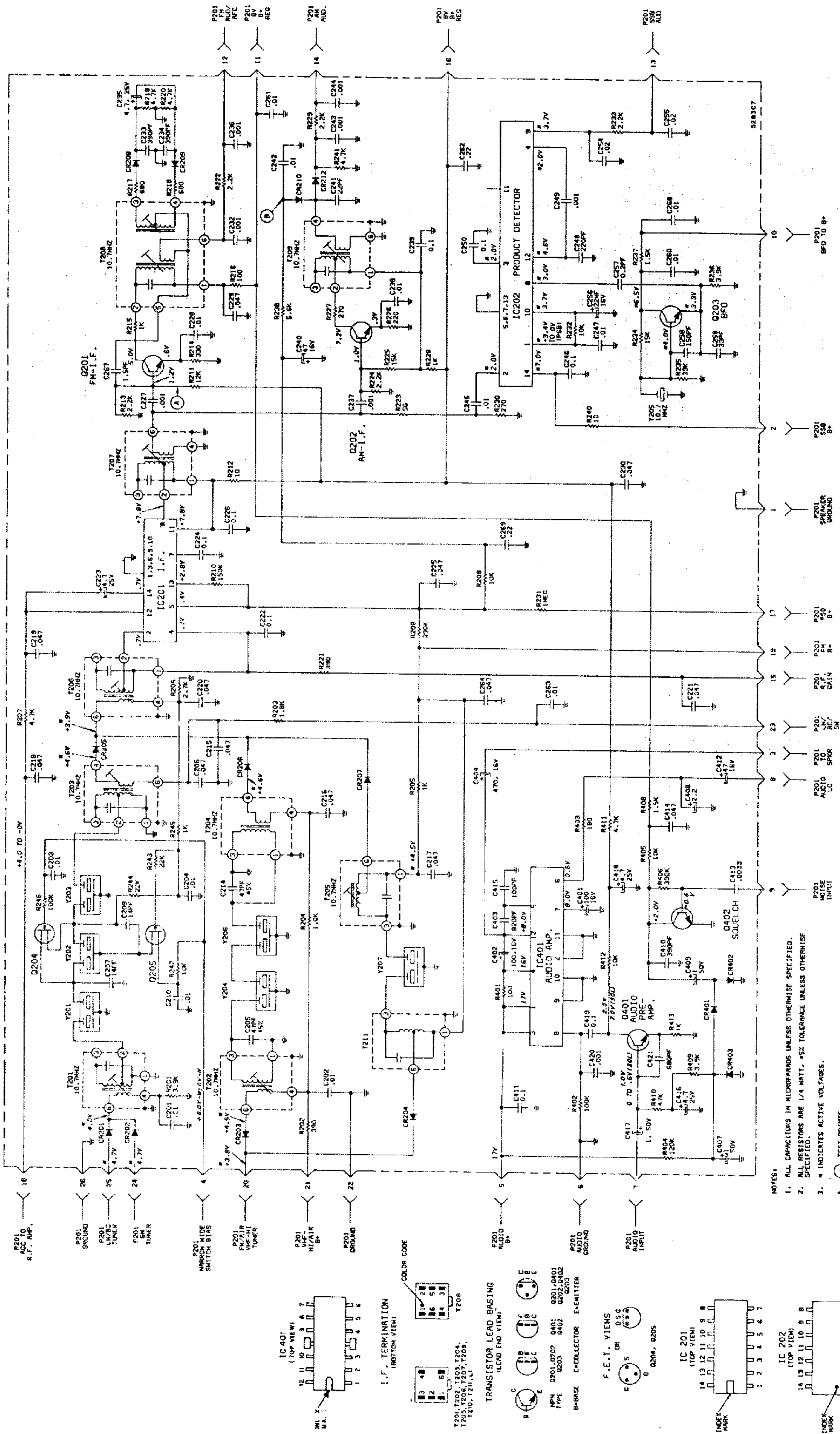


FIGURE C109 - R7000, SW TUNER.



NOTE 1
IMBERS SS01C & SS01E HAVE SPLIT POLES.

FIGURE C110 - R7000, INTERCONNECT BOARD.



- NOTES:
1. ALL CAPACITORS IN MICROFARADS UNLESS OTHERWISE SPECIFIED.
 2. ALL RESISTORS ARE 1/4 WATT, ±5% TOLERANCE UNLESS OTHERWISE SPECIFIED.
 3. * INDICATES ACTIVE VOLTAGES.
 4. ○ TEST POINTS:

A. FM I.F. OUTPUT
 B. AM I.F. OUTPUT (SWEEP ALIGNMENT)

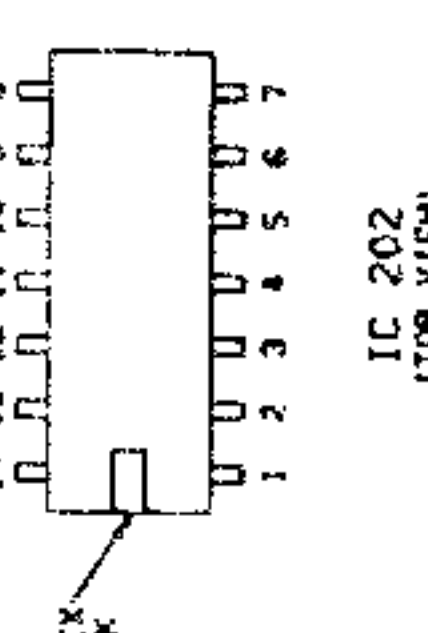
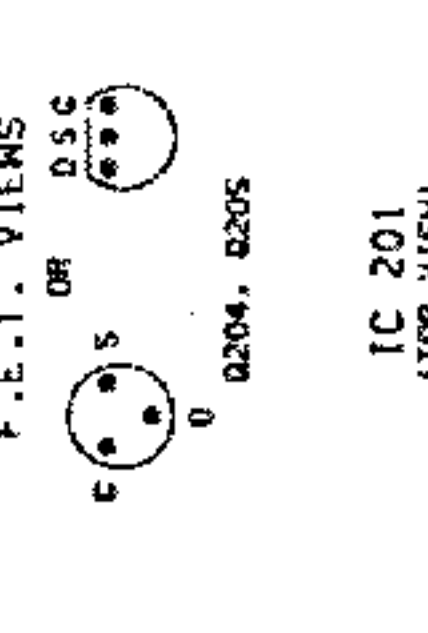
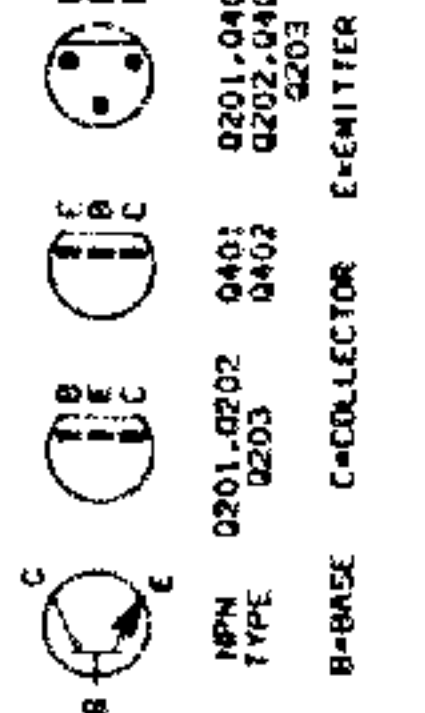
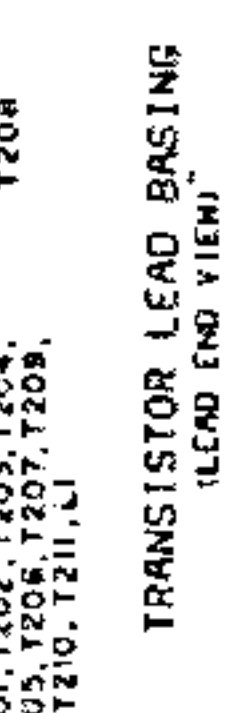
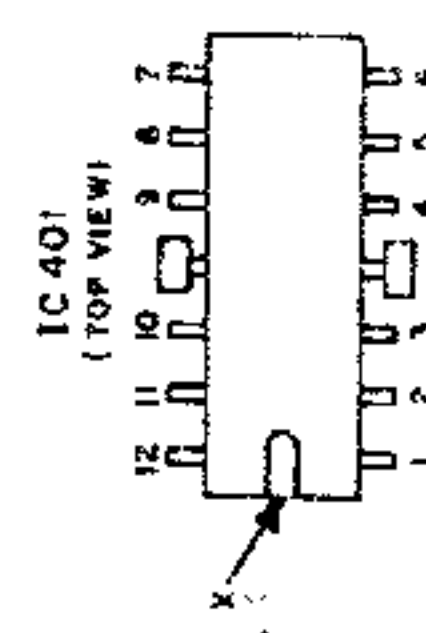


FIGURE C111 — IF/AUDIO BANDWIDTH SWITCHING.

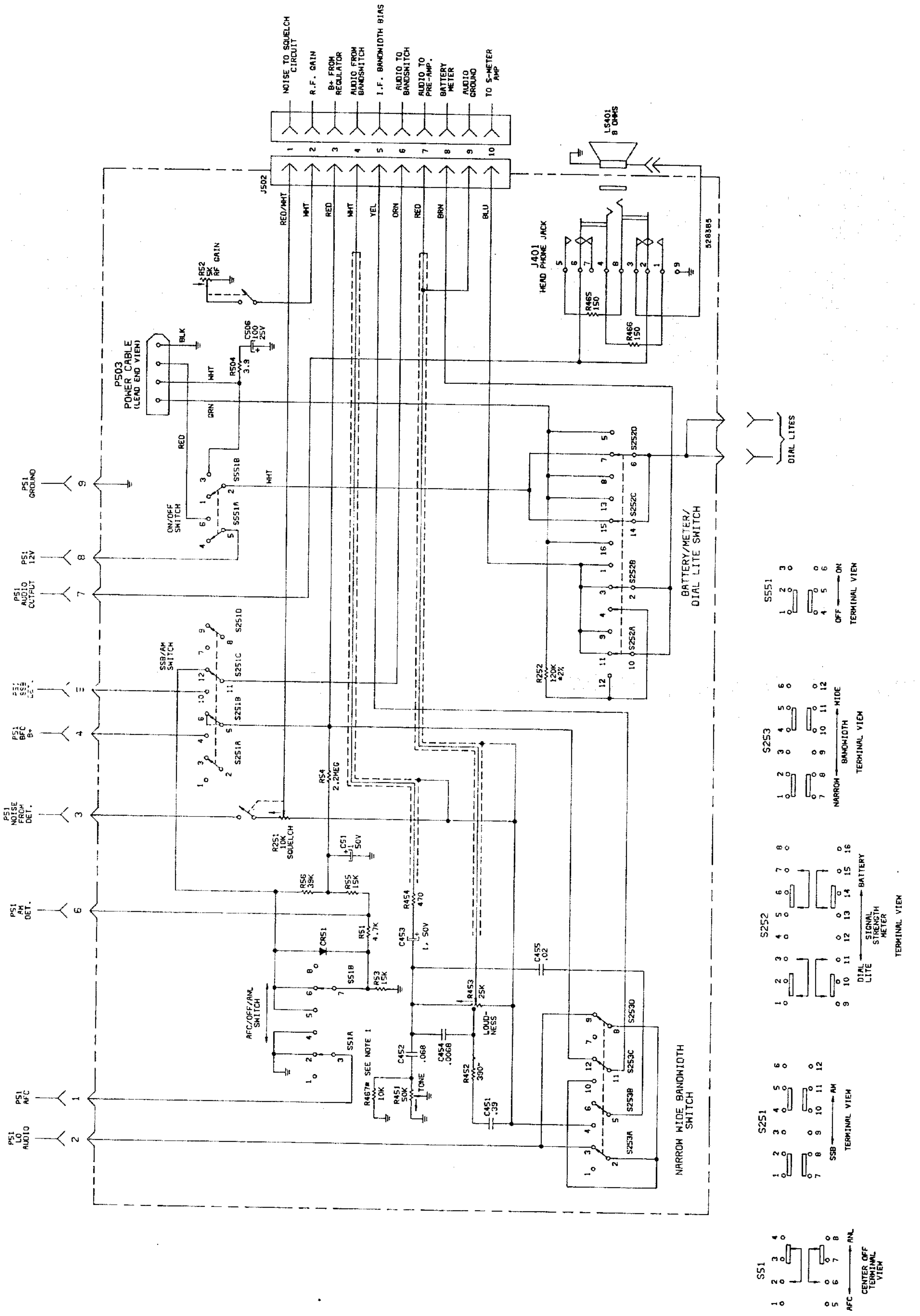
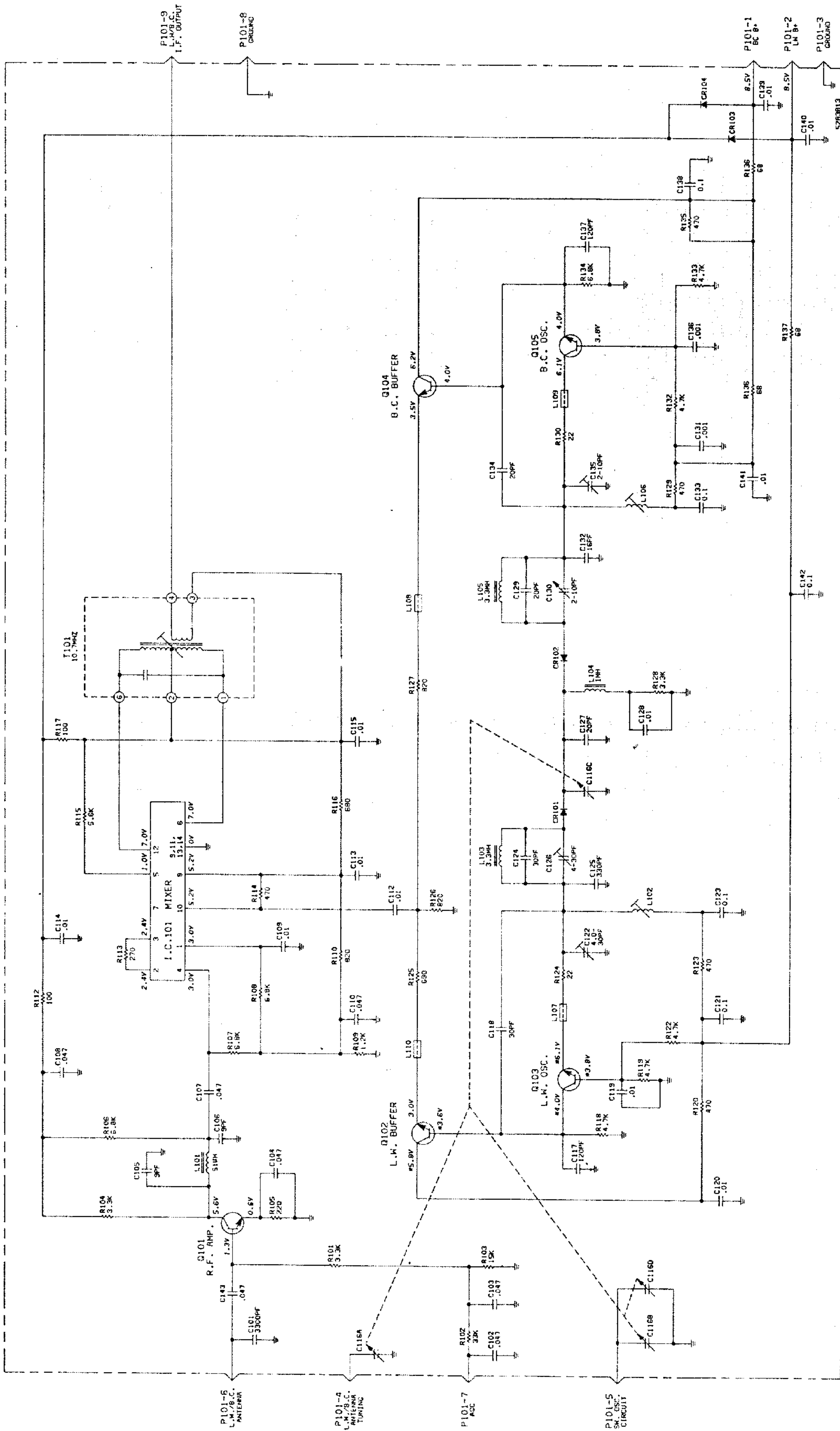
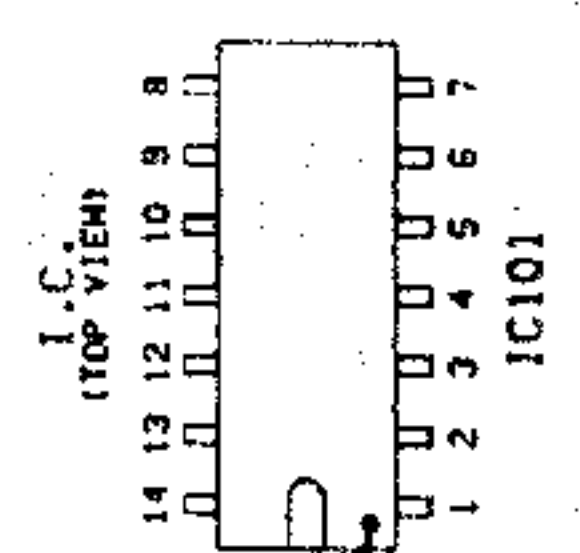


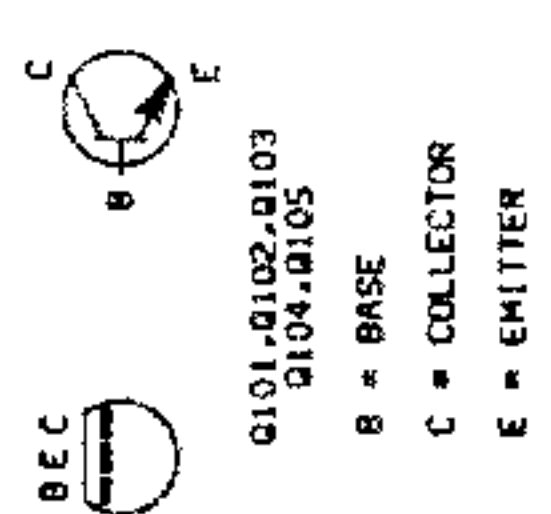
FIGURE C112 - FRONT PANEL SWITCH AND CONTROL CIRCUIT.



- NOTES:
1. ALL CAPACITORS IN MICROFARADS UNLESS OTHERWISE SPECIFIED.
 2. ALL RESISTORS ARE 1/4 WATT, ±5% TOLERANCE UNLESS OTHERWISE SPECIFIED.
 3. ■ INDICATES ACTIVE VOLTAGES.



TRANSISTOR LEAD LAYOUT (LEAD END VIEW)



I.F. TERMINATION (BOTTOM VIEW)

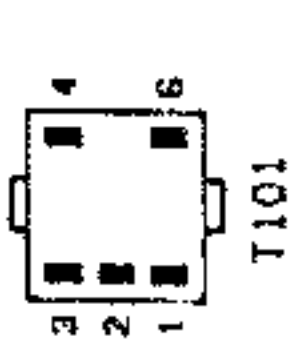


FIGURE C108 - R7000, LW/BC TUNER.