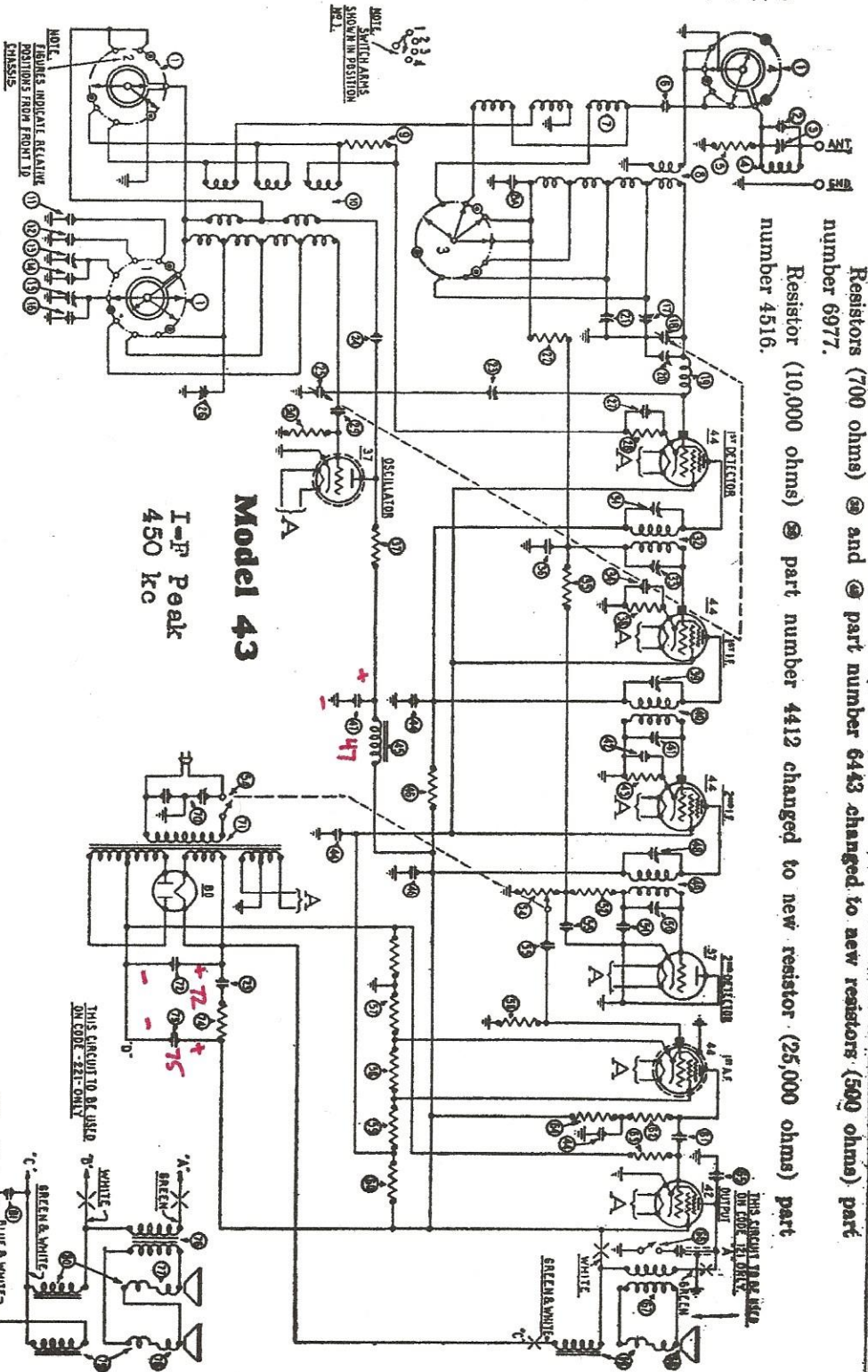


MODEL 43
Schematic
Charges

PHILCO RADIO & TELEVISION CORP.

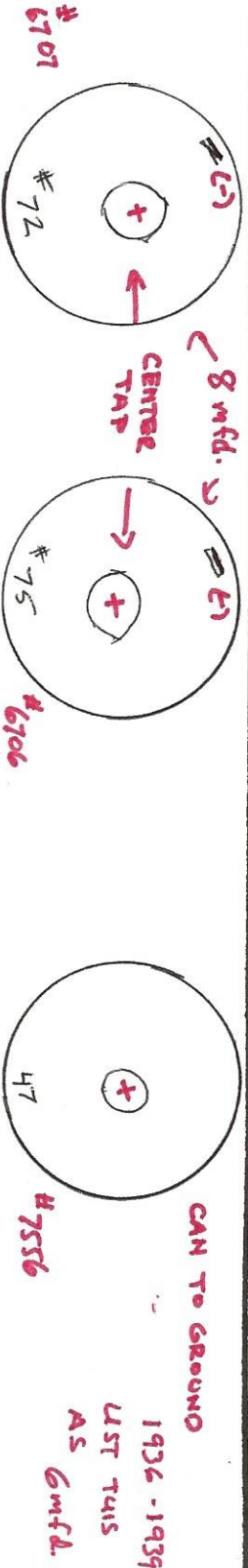
Resistors (700 ohms) ② and ③ part number 6443 changed to new resistors (500 ohms) part number 6977.
Resistor (10,000 ohms) ⑤ part number 4412 changed to new resistor (25,000 ohms) part number 4516.



Grid inductance coil ⑩ part number 05190 changed to new type, bearing same part number, identified by black paint. The first detector tube changed from type 44 to type 36.

The I. F. compensating condensers are re-adjusted in the usual manner, but with the new one half plate compensating condenser (04000-C) open. After the set has been re-adjusted and placed in operation, oscillation in the broadcast band is corrected by increasing the capacity of the new one-half plate compensating condenser with the dial set slightly off the frequency of a strong signal at the low frequency end of the band until the oscillation disappears. The primary compensating condenser ⑥ of the first I. F. is then readjusted by decreasing capacity.

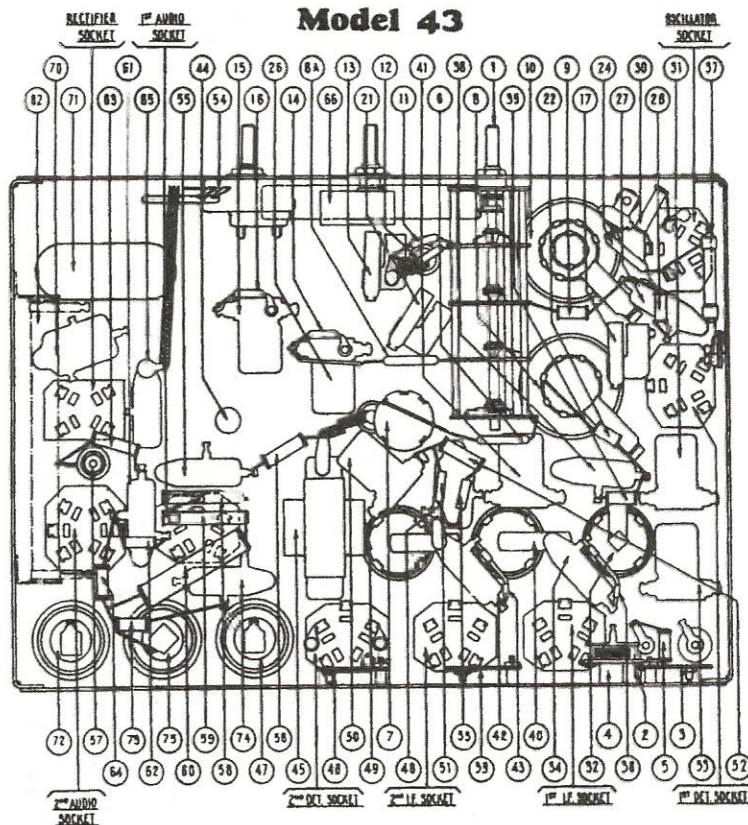
If oscillation still persists the above adjusting procedure is repeated until the sensitivity is strong and no oscillation is present.



Replacement Parts

Model 43

No. on Figs. 2 and 3	Description	Part No.
①	Wave Change Switch	05617
②	Condenser (410 mmf.)	5120
③	Compensating Condenser—450 K. C. Wave Trap	04000B
④	R. F. Choke	05191
⑤	Resistor (2,000 ohms)	6984
⑥	Condenser (1000 mmf.)	5215
⑦	Antenna Coupling Coil	05189
⑧	Antenna Transformer *	06404
⑨	Condenser (3,000 mmf.)	6009
⑩	Resistor (1,000 ohms)	5837
⑪	Oscillator Coil *	05624
⑫	Condenser (1,650 mmf.)	5877
⑬	Condenser (1,250 mmf.)	5886
⑭	Compensating Condenser—1400 K. C. End of Second Band	04000F
⑮	Condenser (250 mmf.)	3082
⑯	Compensating Condenser—600 K. C. End of First Band	04000F
⑰	Condenser (250 mmf.)	3082
⑱	Compensating Condenser—8 Megacycle End Third Band	04000V
⑲	Tuning Condenser Assembly	05154
⑳	Grid Coil (Top of Chassis)	05190
㉑	Compensating Condenser (Part of Tuning Cond. Assembly)	
㉒	Compensating Condenser (3.5 Megacycle End of Second Band)	04000V
㉓	Resistor (99,000 ohms)	4411
㉔	Neutralizing Condenser (Top of Chassis)	04000V
㉕	Condenser (1000 mmf.)	5837
㉖	Condenser (50 mmf.) (Top of Chassis)	3774
㉗	Resistor (490,000 ohms)	4517
㉘	Compensating Condenser (1400 K. C. End of First Band)	04000F
㉙	Resistor (25,000 ohms)	4516
㉚	Condenser (.05 mfd.)	3615E
㉛	Resistor (500 ohms)	6977
㉜	Compensating Condenser	04000C
㉝	Compensating Condenser—1st I. F. Primary	04000M
㉞	First I. F. Transformer	05185
㉟	Compensating Condenser—1st I. F. Secondary	04000M
㊱	Condenser (.05 mfd.)	3615W
㊲	Resistor (2,000,000 ohms)	5872
㊳	Condenser (.05 mfd.)	3615J
㊴	Resistor (10,000 ohms)	3524
㊵	Resistor (500 ohms)	6977
㊶	Compensating Condenser—2nd I. F. Primary	04000M
㊷	Second I. F. Transformer	05185
㊸	Compensating Condenser—2nd I. F. Secondary	04000X
㊹	Condenser (.05 mfd.)	3615W
㊺	Resistor (500 ohms)	6977
㊻	Filter Condenser Bank (.25, 2-.5 mfd.)	05239
㊼	Filter Chokes	5930
㊽	Condenser (.05 mfd. and Resistor 250 ohms)	3615AS
㊾	Electrolytic Condenser	7536
㊿	Compensating Condenser—3rd I. F. Primary	04000M
1	Third I. F. Transformer	05185
2	Compensating Condenser—3rd I. F. Secondary	04000M
3	Condenser (110 mmf.)	4519
4	Resistor (99,000 ohms)	4411
5	Condenser (110 mmf.)	4519
6	Volume Control and On-Off Switch	6892
7	Condenser (.01 mfd.)	3903F
8	Resistor (1,000,000 ohms)	4409
9	Wire Wound Resistor (185 and 245 ohms)	6452
10	Resistor (5,000 ohms)	3526
11	Resistor (5,000 ohms)	3526
12	Resistor (13,000 ohms)	6450
13	Condenser (.01 mfd.)	3903N
14	Resistor (70,000 ohms)	5385
15	Resistor (490,000 ohms)	4517
16	Resistor (25,000 ohms)	4516
17	Condenser (.01 mfd.)	3903AA
18	Tone Control	05174



㉟	Output Transformer	2580
㊱	Voice Coil and Cone Assembly	02823
㊲	Speaker Field and Bucking Coil Assembled with Pot (K-7)	02761
㊳	Condenser (.015 mfd. Double)	3793K
㊴	Power Transformer—50-60 Cycles, 115 Volts, Single Speaker Models	7074
	25-40 Cycles, 115 Volts, Single Speaker Models	7075
	50-60 Cycles, 230 Volts, " " "	7076
	50-60 Cycles, 115 Volts, Twin Speaker Models	6985
	50-60 Cycles, 230 Volts, " " "	6986
㊵	Electrolytic Condenser (6 mfd.) 50-60 Cycles	4916
㊶	Electrolytic Condenser (8 mfd.) 25-40 Cycles	6707
㊷	Resistor (10,000 ohms)	4412
㊸	Condenser (.05 mfd.)	3615AD
㊹	Electrolytic Condenser (6 mfd.) 50-60 Cycles	4916
㊺	Electrolytic Condenser (8 mfd.) 25-40 Cycles	6706
㊻	Output Transformer—Twin Speaker	2564
㊼	Voice Coil and Cone Assembly	02823
㊽	Voice Coil and Cone Assembly	02823
㊾	Speaker Field and Bucking Coil Assembled with Pot (K-9)	02762
㊿	Speaker Field and Bucking Coil Assembled with Pot (K-10)	02767
1	Condenser (.5 mfd.)	05150
2	Wire Wound Resistor (5,620 ohms) Twin Speaker	6451
	Tube Shield	5387
	Knob (Large)	03063
	Knob (Medium)	03064
	Knob (Small)	03437
	Knob Spring (Large)	5262
	Knob Spring (Small)	4147
	Grid Clip	4897
	Four Prong Socket Assembly	5026
	Five Prong Socket Assembly	4956
	Six Prong Socket Assembly	6417
	Dial Complete	05418
	Bezel	6826
	Tuning Condenser Drive Cord	04834
	Spring	6508
	Chassis Mounting Screw	W-468
	Mounting Washer	W-315
	Eubber Washer	5189

*Supplied in matched pair—Antenna and oscillator coils.