

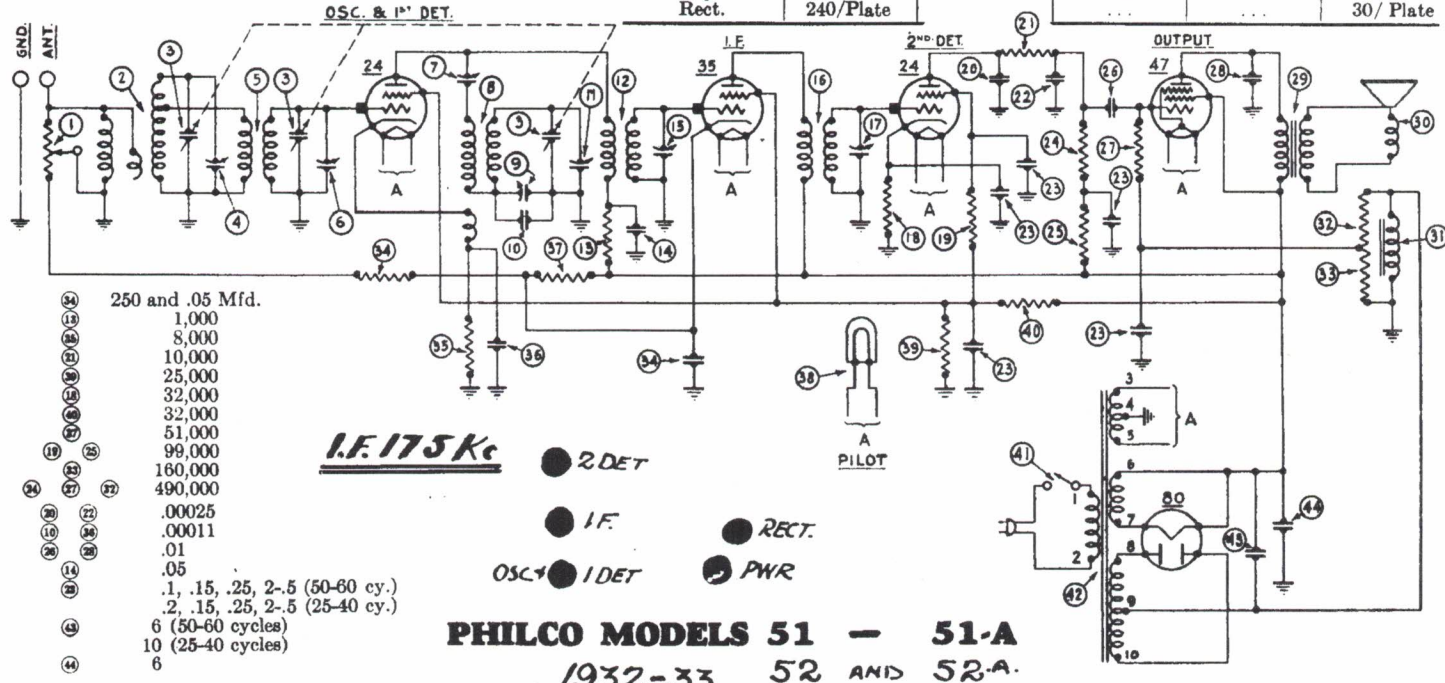
①	.00025	②②	150 and .05
②	.01	③③	10,000
③	.05	④④	15,000
④	.05 and 150 Ohm resistor	⑤⑤	25,000
⑤	.1, .15, .25, 2-.5 (50-60 cycles)	⑥⑥	32,000
⑥	.05, .15, .25, 2-.5 (25-40 cycles)	⑦⑦	99,000
⑦	.05	⑧⑧	160,000
⑧	(50 to 60 cycles) 6.	⑨⑨	240,000
⑨	(25 to 40 cycles) 10.	⑩⑩	490,000

Tube	Plate Volts	Screen Grid Volts	Control Grid Volts	Cathode Volts	Plate Milli-amperes
1st R.F.	245	90	2.5	3.0	4.5
2nd R.F.	250	90	2.5	3.0	5.5
Det.	100	42	8.0	8.0	0
Output	175*	190*	1.0*	...	2.7*

PHILCO MODELS 50 AND 50-A

- I.R.F.
- 2.R.F.
- DET
- RECT
- PWR

Tube	Plate Volts	Screen Grid Volts	Control Grid Volts	Cathode Volts	Plate Milli-amperes
Osc. & 1st Det.	220*	85*	9.0*	9.0*	...
I.F.	210	85	3.0	3.0	6.2
2nd Det.	75	54	5.2	5.2	0
Output	210**	240**	0.2**	...	28.**
Rect.	240/Plate	30/Plate



①	250 and .05 Mfd.	②②	2 DET
②	1,000	③③	I.F.
③	8,000	④④	RECT.
④	10,000	⑤⑤	PWR
⑤	25,000	⑥⑥	OSC
⑥	32,000	⑦⑦	I DET
⑦	32,000	⑧⑧	RECT.
⑧	51,000	⑨⑨	PWR
⑨	99,000	⑩⑩	OSC
⑩	160,000	⑪⑪	I DET
⑪	490,000	⑫⑫	RECT.
⑫	.00025	⑬⑬	PWR
⑬	.00011	⑭⑭	OSC
⑭	.01	⑮⑮	I DET
⑮	.05	⑯⑯	RECT.
⑯	.1, .15, .25, 2-.5 (50-60 cy.)	⑰⑰	PWR
⑰	.2, .15, .25, 2-.5 (25-40 cy.)	⑱⑱	OSC
⑱	6 (50-60 cycles)	⑲⑲	I DET
⑲	6 (25-40 cycles)	⑳㉑	RECT.
⑳	10 (25-40 cycles)	㉑㉒	PWR
㉑	6	㉒㉓	OSC

PHILCO MODELS 51 - 51-A
1932-33 52 AND 52-A.

Printed in Canada

—Courtesy Philco Products Ltd. of Canada