

Philco Radio & Television Corp.

Model: A-801

Chassis:

Year: Pre 1945

Power:

Circuit:

IF:

Tubes:

Bands:

Resources

[Riders Volume 14 - PHILCO 14-117](#)

[Riders Volume 14 - PHILCO 14-118](#)

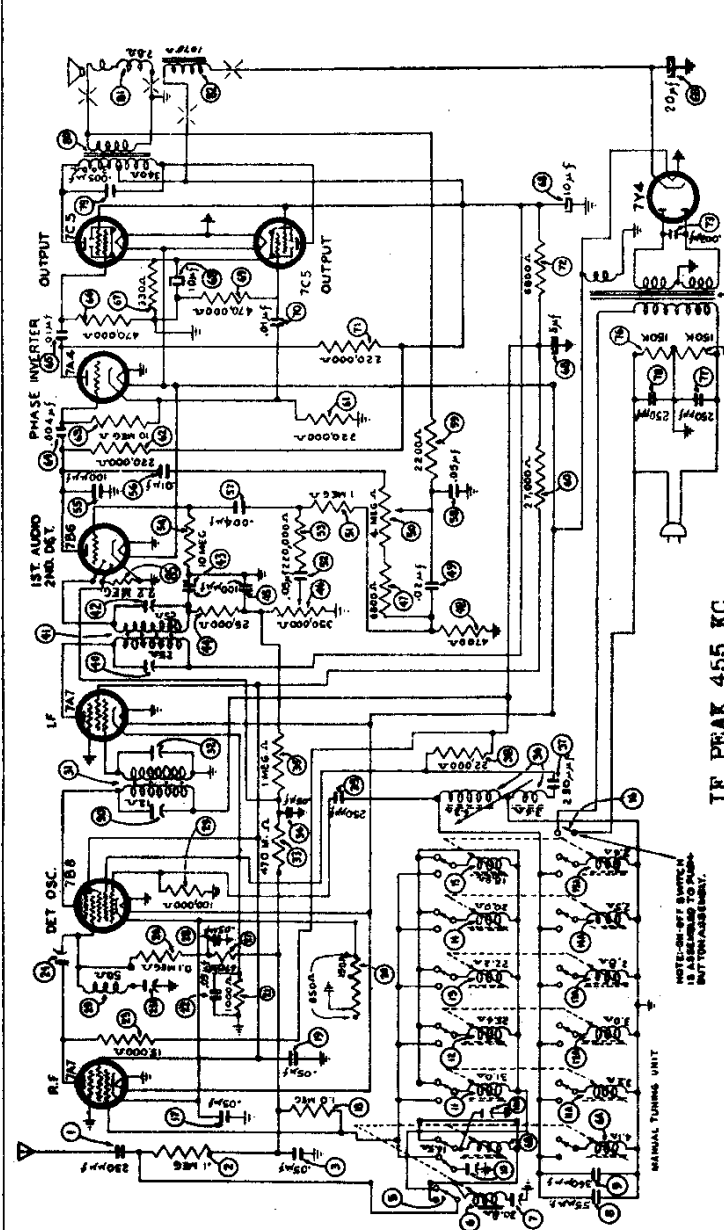
PHILCO RADIO & TELEVISION CORP.

- (44) Resistor (25,000 ohms) 33-325154
- (45) Condenser (100 mfd.) Part of (41)
- (46) Volume Control 67-0040
- (47) Resistor (350,000 ohms) 33-268154
- (48) Resistor (4700 ohms) 33-241334
- (49) Condenser (.02 mfd.) 61-0154
- (50) Tone Control
- (51) Resistor (1 megohm) 33-510154
- (52) Condenser (.05 mfd.) 61-0101
- (53) Resistor
- (54) Resistor (250,000 ohms) 33-422154
- (55) Resistor (10 megohms) 33-610154
- (56) Condenser (100 mmfd.) 60-110157
- (57) Condenser (.01 mfd.) 61-0120
- (58) Condenser (.004 mfd.) 61-0119
- (59) Resistor (2200 ohms) 33-222154
- (60) Resistor (27,000 ohms) 33-327434
- (61) Resistor
- (62) Resistor (220,000 ohms) 33-422154
- (63) Resistor (10 megohms) 33-422154
- (64) Resistor (.004 mfd.) 61-0119
- (65) Condenser (.01 mfd.) 61-0120
- (66) Resistor (10,000 ohms) 33-447154
- (67) Resistor (330 ohms) 33-103431
- (68) Filter Condenser (5-10-10-50 mfd.) 61-0150
- (69) Resistor (470,000 ohms) 33-447154
- (70) Condenser (.01 mfd.) 61-0169
- (71) Resistor (220,000 ohms) 33-422154
- (72) Resistor (6800 ohms) 33-288434
- (73) Condenser (.003 mmfd.) 61-0115
- (74) Power Transformer 32-8231
- (75) Resistor (150,000 ohms) 33-415154
- (76) Resistor (150,000 ohms) 33-415154
- (77) Condenser (250 mmfd.) 60-125157
- (78) Condenser (250 mmfd.) 60-125157
- (79) Condenser (.005 mfd.) 61-0105
- (80) Output Transformer 65-0368
- (81) Cone and Voice Coil 91-0228
- (82) Field Coil Not Replaceable
- (83) Nut (Set Mtg.—Top) 97-0091FA3
- (84) Nut (Set Mtg.—Bottom) W515FA3
- (85) Resistor (2.2 megohms) 33-522039

- Speaker Cable 36-1580
- A. C. Cord L-3199
- Pointer Drive Cord 55-1366
- Tong. Drive Cord 35-1408
- Turntable & Volume Knob 35-1409
- White 77-0984
- Cream 77-1014
- Gray 77-0654
- Mottled 77-1015

*NOTE: On later production sets, Nos. 75 and 76 (150,000 ohms) were removed and Nos 77 and 78 were changed to 6000 mmf, Part No. 60-260159.

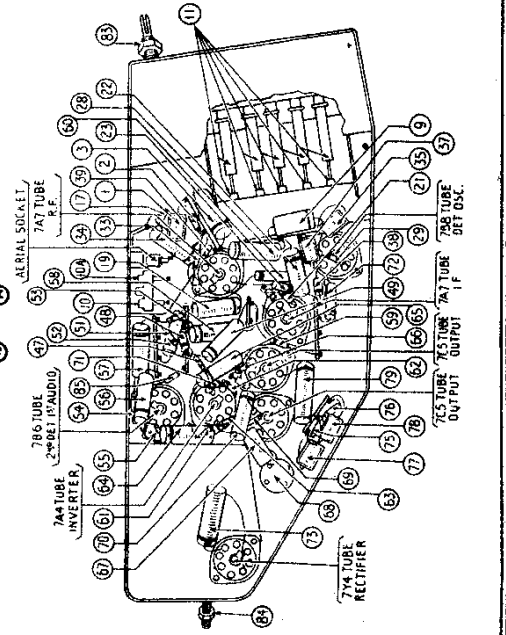
(PARTS LIST CONTINUED)



IF PEAK 455 KC

PARTS LIST MODEL A801

- (1) Condenser (250 mmfd.) 60-125157
- (2) Resistor (100,000 ohms) 33-410154
- (3) Condenser (.05 mfd.) 61-0111
- (4) Push Button Switch 85-0127
- (5) Inductive Tuning Unit Part of (6)
- (6) Inductive Tuning Unit Part of (6)
- (7) Image Padder 65-0069
- (8) Condenser (35 mmfd.) 61-0119
- (9) Condenser (300 mmfd.) 61-0119
- (10) Antenna Padder (P.E.) 77-0788
- (11) Antenna Padder (P.E.) Part of (10)
- (12) P.E. Sw. & Coil Assy. Part of (11)
- (13) P.E. Sw. & Coil Assy. Part of (11)
- (14) P.E. Sw. & Coil Assy. Part of (11)
- (15) P.E. Sw. & Coil Assy. Part of (11)
- (16) P.E. Sw. & Coil Assy. Part of (11)
- (17) P.E. Sw. & Coil Assy. Part of (11)
- (18) On-off Switch Part of (5)
- (19) Resistor (.05 mfd.) 61-0101
- (20) Condenser (.05 mfd.) 61-0101
- (21) Sensitivity Control (850 ohms) 67-0025
- (22) Resistor (1000 ohms) 33-210354
- (23) Condenser (.05 mfd.) 61-0101
- (24) Resistor (15,000 ohms) 33-173334
- (25) Padder Part of (25)
- (26) E. F. Transformer Assy. 32-9851
- (27) Padder Part of (25)
- (28) Resistor (470,000 ohms) 33-470039
- (29) Condenser (.05 mfd.) 61-0101
- (30) Resistor (100,000 ohms) 33-410154
- (31) Padder (Pri. 1st I. F. Trans.)
- (32) Padder (Pri. 1st I. F. Trans.) 65-0365
- (33) Padder (Sec. 1st I. F. Trans.)
- (34) Resistor (470,000 ohms) 33-470039
- (35) Condenser (.05 mfd.) 61-0101
- (36) Condenser (250 mmfd.) 60-125157
- (37) Oscillator Shunt Coil 65-0440
- (38) Resistor (250 mmfd.) 60-125157
- (39) Resistor (22,000 ohms) 33-322334
- (40) Resistor (1 megohm) 33-510154
- (41) Padder (Pri. 2nd I. F. Trans.)
- (42) Second I. F. Transformer 65-0366
- (43) Padder (Sec. 2nd I. F. Trans.) (180 mmfd.) Part of (41)
- (44) Condenser (.05 mfd.) 61-0111



MODEL A-801

PHILCO RADIO & TELEVISION CORP.

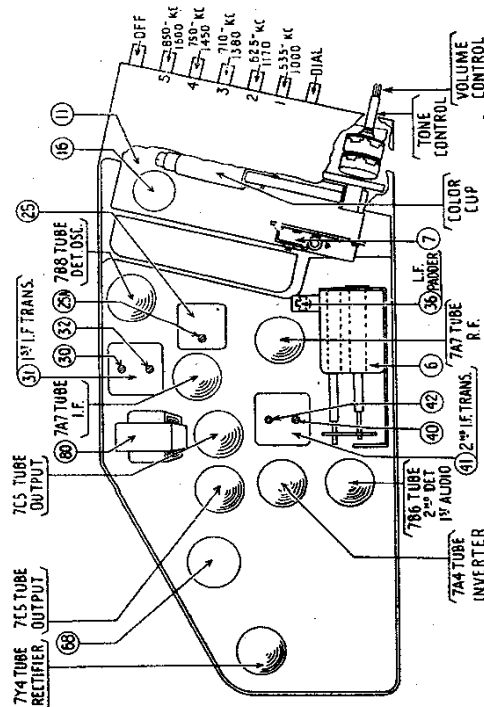
EQUIPMENT—077 or 177 Philco Signal generator, 027 Philco Vacuum tube voltmeter and set tester or audio output meter, 45-2610 Padding screw driver.

GENERAL—VACUUM TUBE VOLTMETER. The model 027 Vacuum tube voltmeter is an extremely sensitive and accurate test instrument and is recommended for use when aligning and adjusting radios. Connect the negative (—) terminal of the Vacuum Tube Voltmeter to the high side (ungrounded side) of the volume control. Connect the positive (+) terminal to the radio housing. Connect the "AC" cord to a 110 volt AC socket. Press the VTVM button and the 10 volt click is heard. Allow the tubes to heat up for a few minutes. Short the 150 meg. VTVM terminals and adjust the "Set Zero Ohms—VTVM" control until the meter reads zero on the 0-10 range scale (green scale). The needle will deflect from right to left.

AUDIO OUTPUT METER. If an audio output meter is used, connect the leads across the voice coil of the speaker. Use the 0-30 volt scale.

With the Radio and signal generator set up for operation at the prescribed frequency, turn the Radio volume control on full and set the signal generator attenuator so that a half scale reading is obtained on the meter. The signal in the speaker should be audible but not loud.

The shielding on the generator output lead must be connected to the Radio housing.



SIGNAL GENERATOR		RECEIVER		
FREQUENCY	CONNECTION	DIAL SETTING	DUMMY CAPACITY	ADJUST PADDER
1				
2	To Ant. Receptacle on Radio	Note 2	.1 Mfd.	Ⓚ Ⓛ Ⓜ Ⓝ
3	To Ant. Receptacle on Radio	Note 2	.1 Mfd.	Ⓚ Ⓛ Ⓜ Ⓝ
4	To Ant. Receptacle on Radio	1500 K.C.	See Note 1	(25a) Minimum (10a)
5	To Ant. Receptacle on Radio	580 K.C.	See Note 1	Ⓢ Note 3
6	To Ant. Receptacle on Radio	1500 K.C.	See Note 1	(10a)
7	To Ant. Receptacle on Radio	580 K.C.	See Note 1	Ⓢ Note 3

Make all adjustments for maximum reading on the meter.

NOTE 1—Connect a 30 mmfd. condenser in series between the signal generator and the output lead.

NOTE 2—Turn the tuning control clockwise as far as it will go.

NOTE 3—Rock the tuning control while adjusting the low frequency screw. Tune the control to the signal and adjust the screw for maximum output. Rotate the tuning control back and forth slightly for maximum output. Then readjust the screw for maximum output. Repeat this procedure until no further improvement can be obtained.

Description	Part No.
Tone Knob	77-1056
White	77-1056
Green	77-1052
Gray	77-1011
Mottled	77-1054
Nut, Cover	77-1057
White	77-1057
Green	77-1053
Gray	77-1012
Mottled	77-1055
Push Button (OFF)	77-0973
White	77-0973
Green	77-0976
Gray	77-0924
Mottled	77-0979
Push Button (Dial)	77-0974
White	77-0974
Green	77-0977
Gray	77-0925
Mottled	77-0980
Push Button (Plain)	77-0972
White	77-0972
Green	77-0975
Gray	77-0926
Mottled	77-0978
Core & Key Assembly	77-0916
(1, 2, 3, 4, 5)	77-0916
Core & Key Assembly	77-0916
(Dial, Off)	77-0923
Wiring Side Cover	57-2186FC64
Tube Side Cover	318-2916
On-Off Switch Cover	76-1333FA3
Padder Cover Plate	57-1692FC64
Dial Lamp Socket	76-1295
Dial Lamp	34-2064
Washer (Set Mig.)	W417FA3
Nut (Speaker Mig.)	W-124FA3
Fibre Washer	27-1467
Wing Nut (Tube Side Cover)	57-0142FA26
Mfg.	77-1256
Antenna	57-0142FA26
Power Transformer Mfg.	57-2333FA3
Bracket	57-1701FA38
Tone Arm Spring	57-1693
Color Cup Spring	55-1371
Dial Mounting	57-2218FE11
Spring	55-1428
Diffusion Screen	57-2242FA3
Bracket	57-2211FC64
Housing Front	57-2292FA8
Bezel	57-0213FA40
Bezel Screws	57-2217FA3
Tuning Shaft	27-6151
Loktal Socket	27-0687
Color Cup Assembly	77-0814
Tone Indicator Drum	77-0814