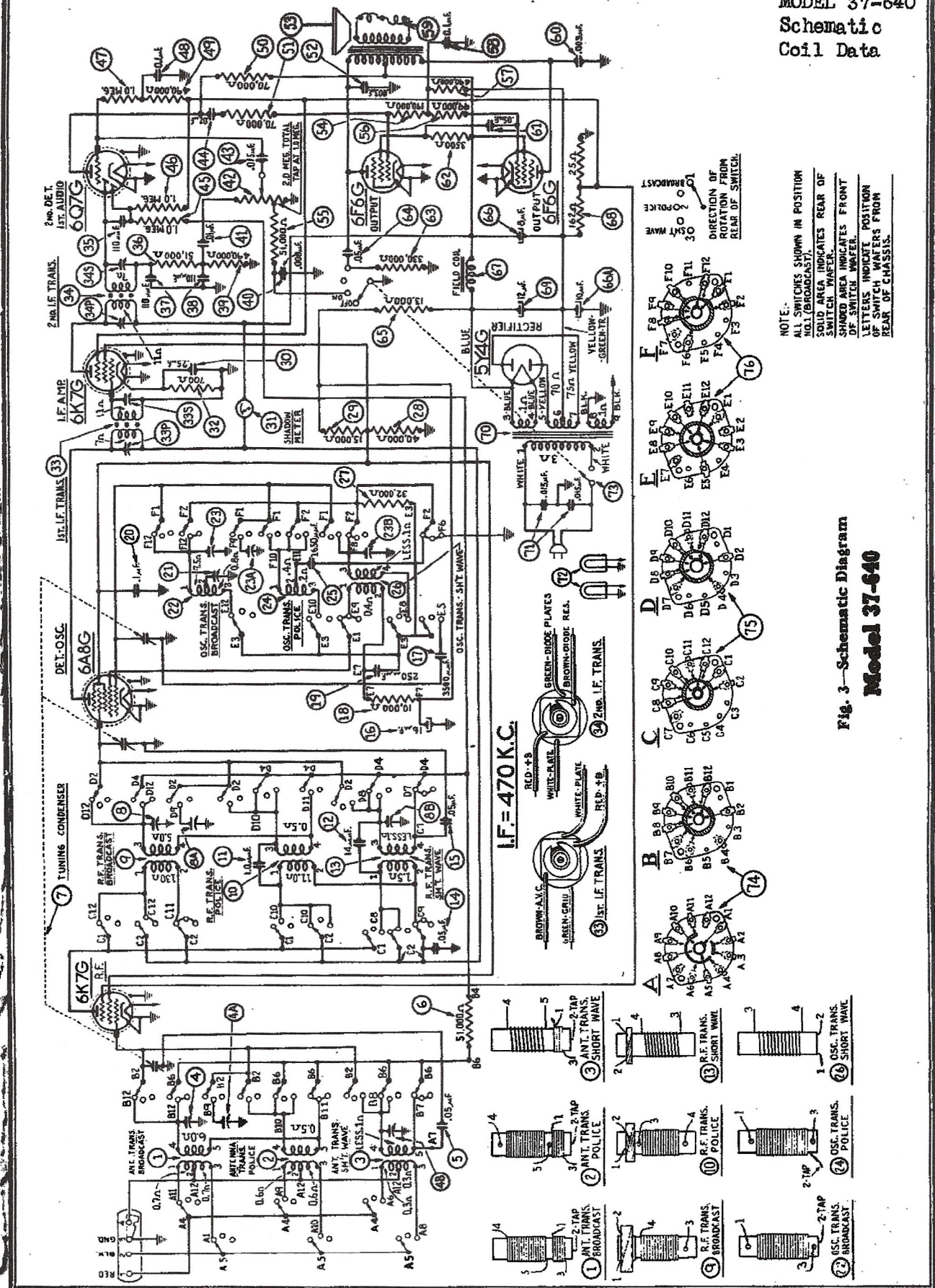


PHILCO RADIO & TELEV. CORP.

MODEL 376
MODEL 37-640
Schematic
Coil Data



NOTE:
ALL SWITCHES SHOWN IN POSITION
N.O.I. (BROADCAST).
SOLID AREA INDICATES REAR OF
SWITCH WAFER.
SHADED AREA INDICATES FRONT
OF SWITCH WAFER.
LETTERS INDICATE POSITION
OF SWITCH WAFERS FROM
REAR OF CHASSIS.

Fig. 3—Schematic Diagram
Model 37-640

©John F. Rider, Publisher