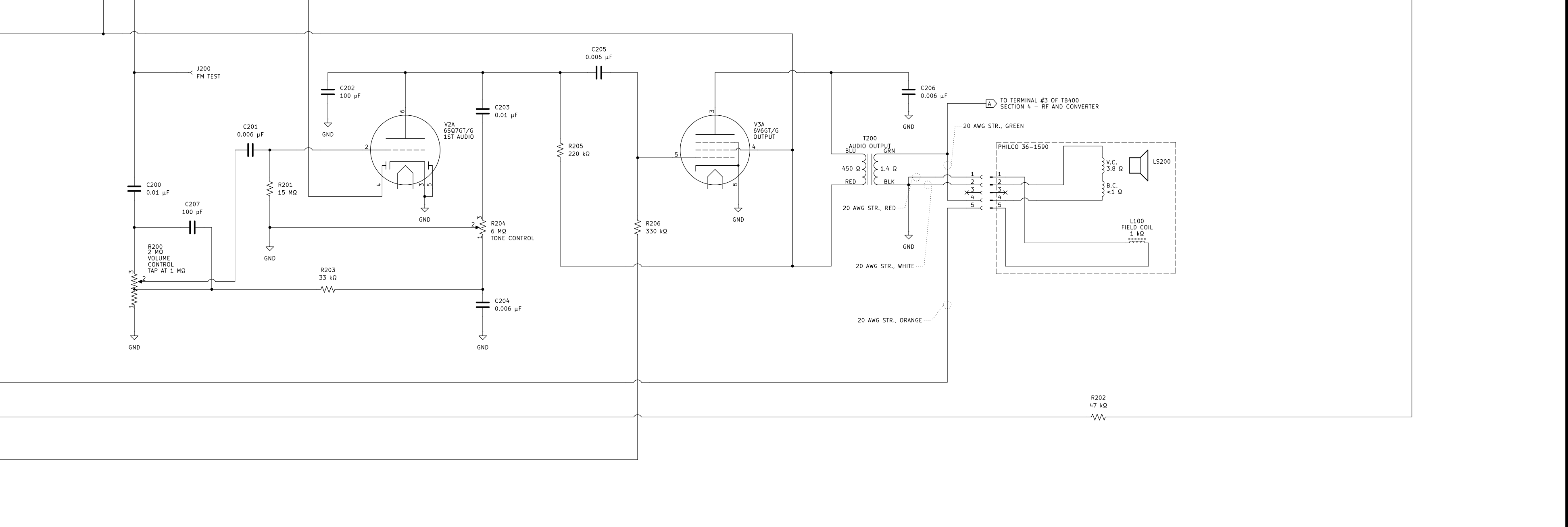
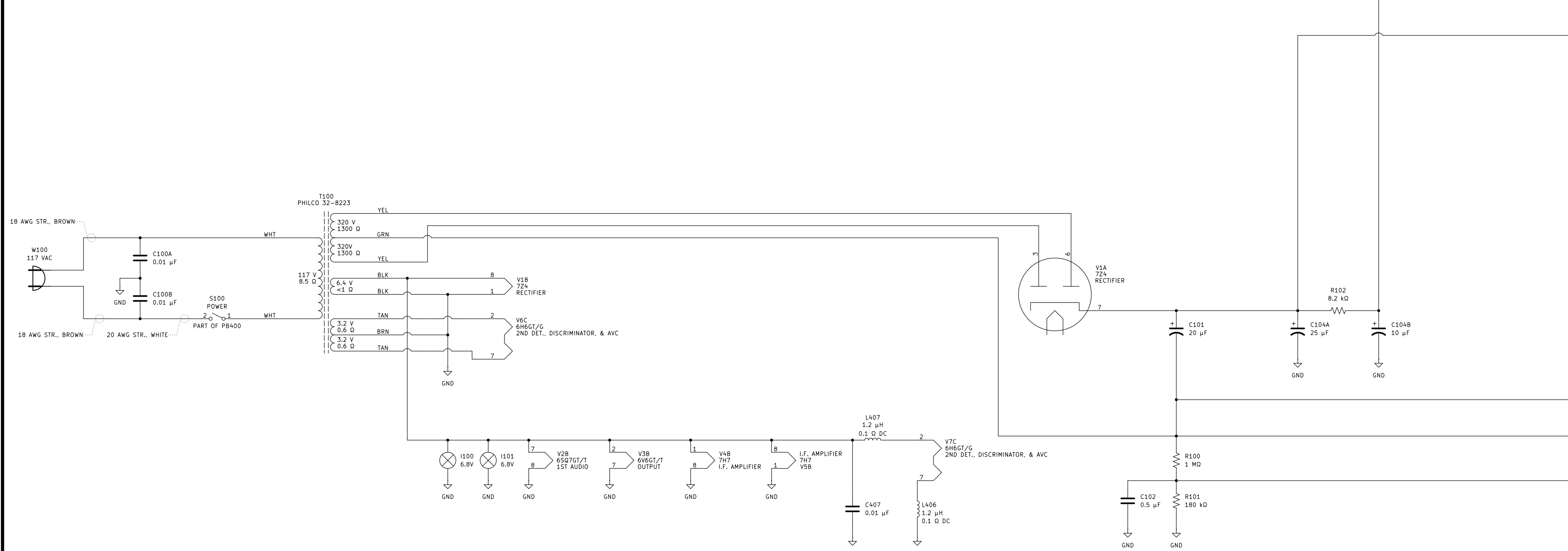
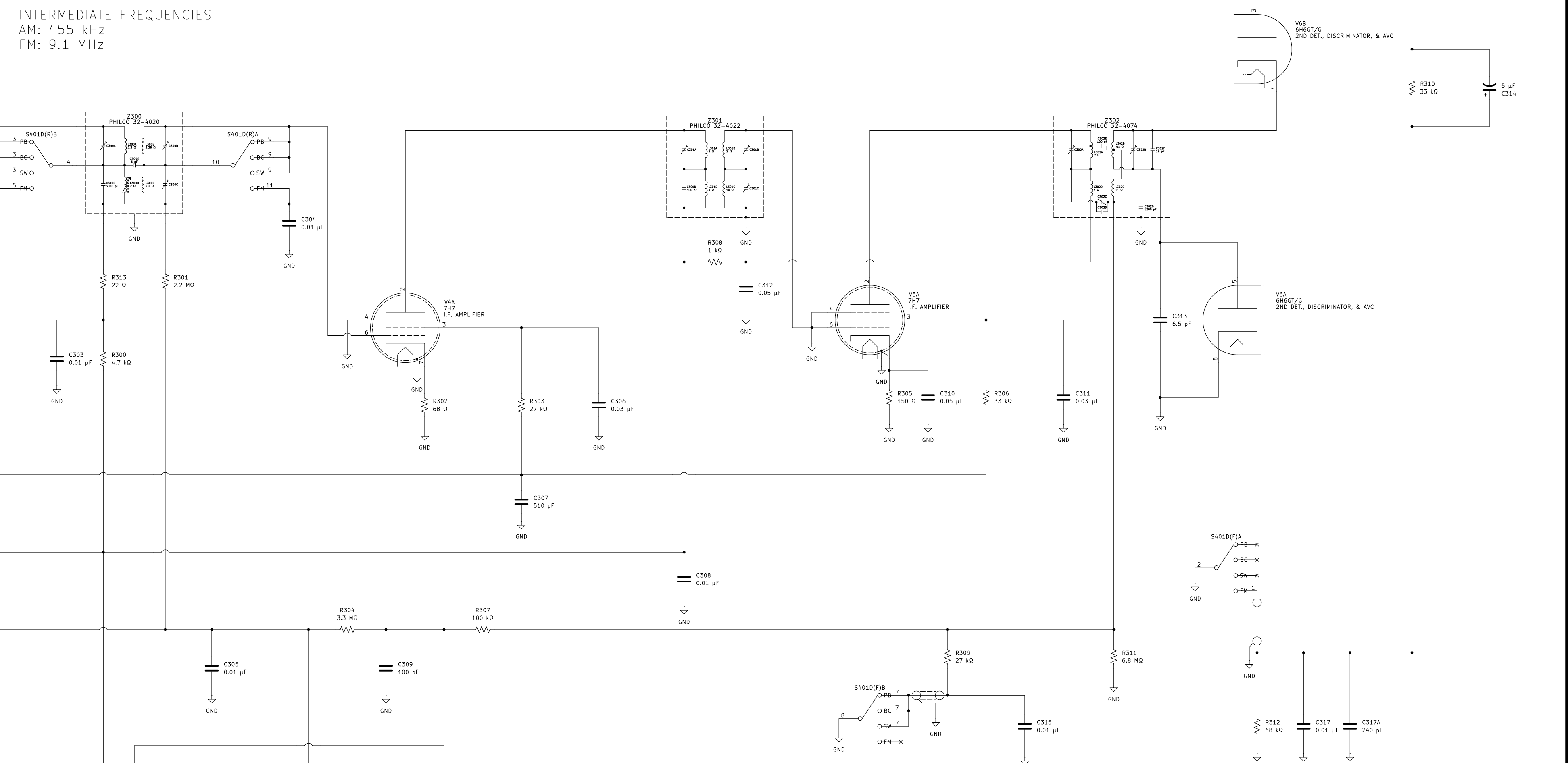
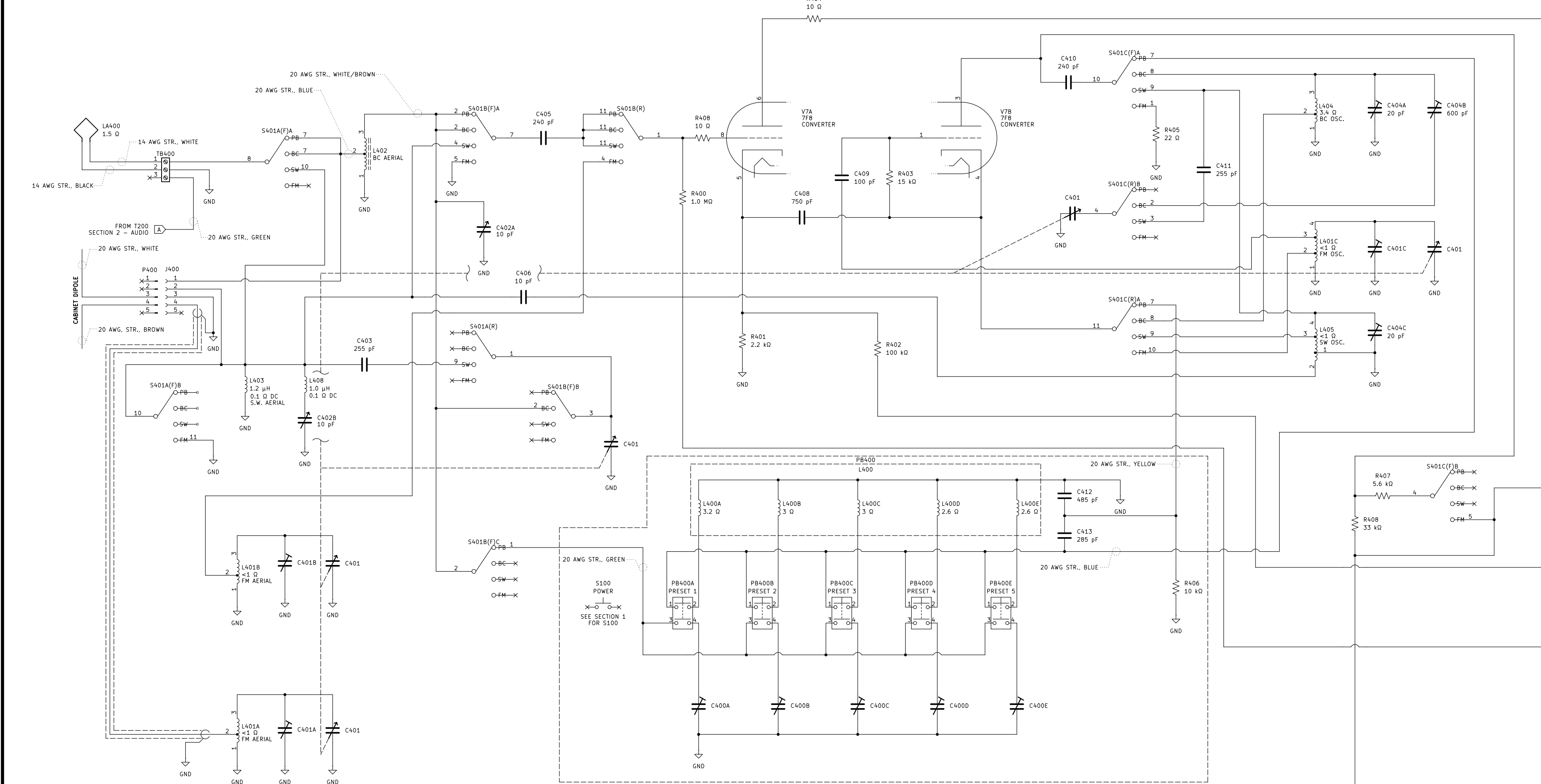


SECTION 4 - RF AND CONVERTER

SECTION 3 - IF, DETECTOR, AND AVC

INTERMEDIATE FREQUENCIES
AM: 455 kHz
FM: 9.1 MHz



SECTION 1 - POWER SUPPLY

SECTION 2 - AUDIO

