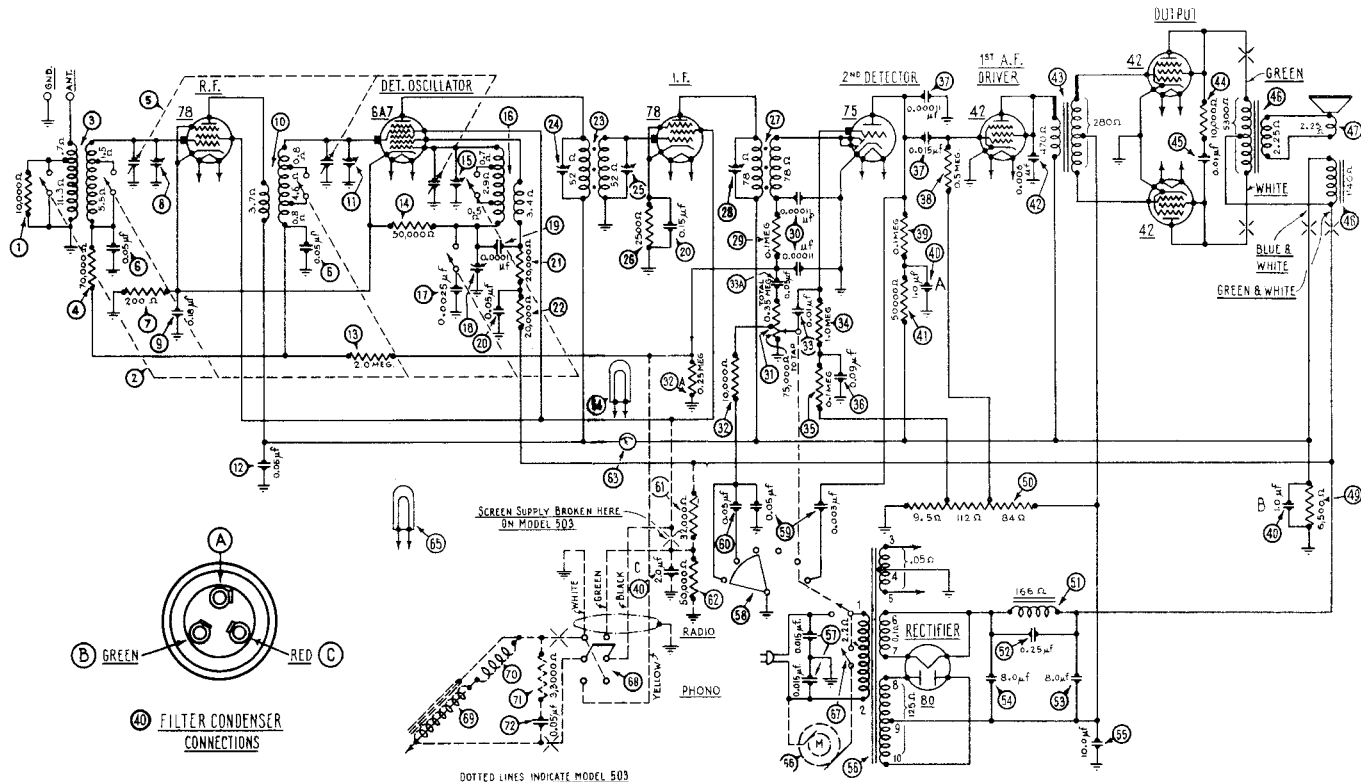


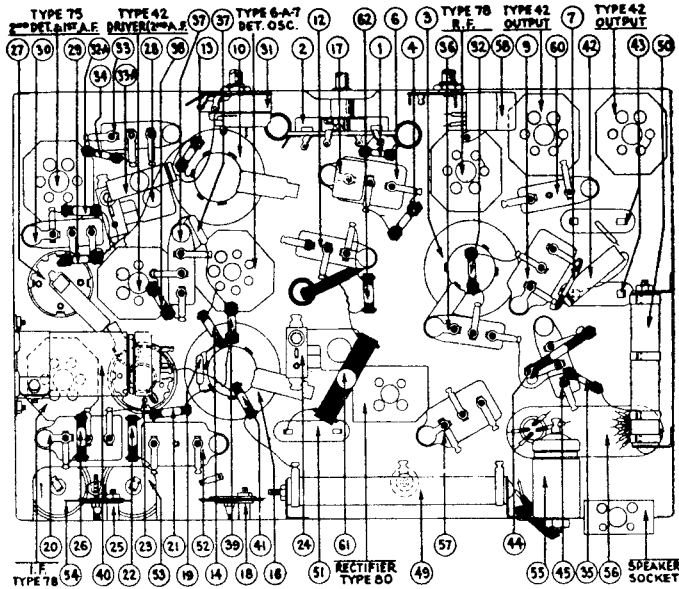
# MODEL 18



NOTE: In later production (32)-a Resistor (240,000) (Red-Yellow-Yellow), Part No. 4410--(not shown in Schematic), is connected between line running from (13) to junction of (29), (30); and ground. (33)-a Condenser (.05), Part No. 30-4020--(not shown in Schematic), is connected between high side of Volume Control (31) and junction of (29), (30), (60) External Condenser in Tone Control circuit has but one section (in later production),—the .05 mfd. on point two. Point one goes directly to (32).

NOTE: Values of primary and secondary of (46) Output Transformer, and value of (47) Voice Coil, are given in impedance at 200 cycles, 30 volts. The D. C. resistance of the primary is 350 ohms; of the secondary, .09 ohm, D. C. resistance of (47) is 1.11 ohm.

# MODEL 18



## REPLACEMENT PARTS FOR MODEL 18

No. on Fig.	Description	Part No.	No. on Fig.	Description	Part No.	No. on Fig.	Description	Part No.	No. on Fig.	Description	Part No.
1	Resistor (10,000) (Brown-Black-Orange)	4412	27	1st I. F. Transformer	32-1288	40	Filter Condenser (Electrolytic) (A=1.0 mfd.; B=1.0 mfd.; C=2.0 mfd.)	30-2029	62	Resistor (50,000) (Green-Brown-Orange)	4518
2	Wave Band Switch	42-1046	28	Compensating Condenser (1st I. F. Primary)	04000-M	41	Resistor (50,000) (Green-Brown-Orange)	4518	63	Shadow Tuning Meter	6497
3	Antenna Transformer	32-1255	29	Compensating Condenser (1st I. F. Secondary)	04000-X	42	Condenser (.006)	30-4024	64	Pilot Lamp (Part of Shadow Tuning Meter)	
4	Resistor (70,000) (Violet-Black-Orange)	5385	30	Resistor (2,500) (Red-Green-Red)	7775	43	Input Transformer	32-7114	65	Pilot Lamp (Station Selector) Shield ("Push-on Button") for sub-base holes; over 24 and 26 Compensating Condensers W-775	6608
6	Tuning Condenser Assembly	31-1110	31	2nd I. F. Transformer	32-1258	44	Resistor (10,000) (Brown-Black-Orange)	3524			
6	Condenser (Double) (.05-.05)	3615-AM	32	Compensating Condenser (2nd, I. F. Primary)	04000-A	45	Condenser (.01)	3903-P			
7	Resistor (Flexible Wire-Wound) (200) (Red-Black-Brown)	7217	33	Resistor (.1 meg.) (White-White-Orange)	4411	46	Output Transformer	32-7078			
8	Compensating Condenser (Ant.; H. F.; Part of 5)		34	Condenser (Double) (.00011-.00011)	8035-K	47	Voice Coil and Cone Assembly	02625			
9	Condenser (.18)	4989-AC	35	Volume Control and "On-Off" Switch	33-5024	48	Speaker Field Coil and Pot Assembly (H-13)	36-3104			
10	Detector Transformer	32-1256	36	Resistor (10,000) (Brown-Black-Orange)	4412	49	Resistor (Wire-Wound) (6,500)	33-3033			
11	Compensating Condenser (Det.; Part of 5)		37-a	Resistor (240,000) (Red-Yellow-Yellow)	4410	50	Voltage Divider Resistor (Wire-Wound)	33-3034			
12	Condenser (.05)	3615-AA	38	Condenser (.01)	3903-Z	51	Filter Choke	32-7115			
13	Resistor (2.0 meg.) (Red-Black-Green)	5872	39-a	Condenser (.05)	30-4020	52	Condenser (.25)	6287-N			
14	Resistor (50,000) (Green-Brown-Orange)	4518	34	Resistor (1.0 meg.) (Brown-Black-Green)	4409	53	Condenser (Electrolytic) (8.0)	6706			
15	Compensating Condenser (Osc.; H. F.; Part of 5)		35	Resistor (.1 meg.) (White-White-Orange)	4411	54	Condenser (Electrolytic) (8.0)	30-2025			
16	Oscillator Transformer	32-1257	36	Condenser (.09)	4989-N	55	Condenser (Electrolytic) (10.0)	30-2003			
17	Condenser (.0025)	7006	37	Condenser (.00011)	4519	56	Power Transformer (50-60 ~)	32-7111			
18	Compensating Condenser (Osc.; L. F.)	04000-R	38	Condenser (.015)	3793-AB	57	Condenser (Double) (.015-.015)	3793-R			
19	Condenser (.00011)	4519	39	Resistor (.5 meg.) (Yellow-White-Yellow)	4517	58	Tone Control	30-4073			
20	Condenser (Double) (.5-.15)	6287-M	40	Resistor (.1 meg.) (White-White-Orange)	4411	59	Condensers (Internal to 68)				
21	Resistor (20,000) (Red-Black-Orange)	6650	41	Resistor (.1 meg.) (White-White-Orange)	4411	60	Condenser (External to 68)	3615-G			
22	Resistor (20,000) (Red-Black-Orange)	6650				61	Resistor (32,000) (Orange-Red-Orange)	33-1026			

NOTE: The following parts are different in Model 18, Code 123

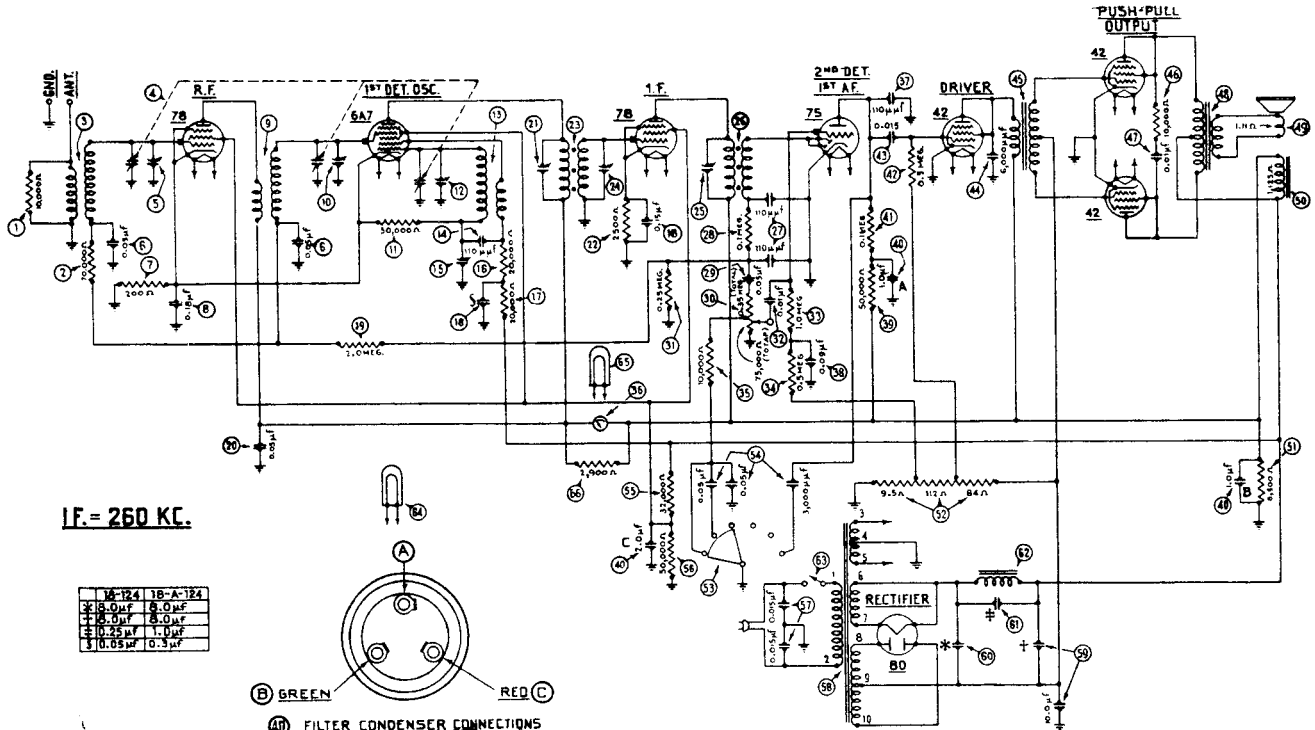
53 Electrolytic condenser becomes 30-2045.

54 Electrolytic condenser becomes 30-2014.

5 Tuning condenser assembly becomes 31-1117.

# MODEL 18

(Code 124)



**IF = 260 KC.**

16-124	16-A-124
18.0μF	18.0μF
0.25μF	1.0μF
10.05μF	10.3μF

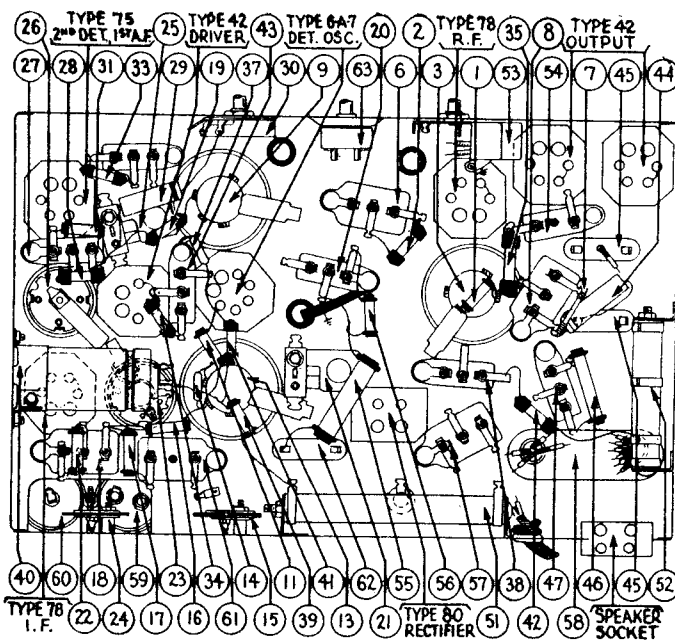
**(B) GREEN (A) RED (C)**

**(40) FILTER CONDENSER CONNECTIONS**

NOTE: A resistor No. 5109 (2900 ohms) (red-white-red) is used, shunted across the shadowmeter. Not shown above.

# MODEL 18

(Code 124)



## Replacement Parts for Model 18 (Code 124)

No. on Figs.	Description	Part No.
1	Resistor (10,000 ohms) (Brown-Black-Orange)	33-1000
2	Resistor (70,000 ohms) (Violet-Black-Orange)	5385
3	Antenna Transformer	32-1396
4	Tuning Condenser Assembly	31-1196
5	Compensating Condenser (Ant.)	Part of 4
6	Condenser (.05 Twin Bakelite Block)	3615AM
7	Resistor (200 ohms Flexible Wire-wound)	7217
8	Condenser (.09 Twin-Bakelite Block)	4989AC
9	Detector Transformer	32-1397
10	Compensating Condenser (Det.)	Part of 4
11	Resistor (50,000 ohms) (Green-Brown-Orange)	4518
12	Compensating Condenser (Osc. H. F.)	Part of 4
13	Oscillator Transformer	32-1398
14	Condenser (.00011 Mfd. Mica)	4519
15	Compensating Condenser (Osc. L. F.)	04000R
16	Resistor (20,000 ohms) (Red-Black-Orange)	6650
17	Resistor (20,000 ohms) (Red-Black-Orange)	6650
18	Condenser (Double .05 --- .15 Bakelite Block)	6287M
19	Resistor (2 Meg.) (Red-Black-Green)	5872
20	Condenser (.05 Mfd. Bakelite Block)	3615AA
21	Compensating Condenser (1st I. F. Pri.)	04000M
22	Resistor (2500 ohms) (Red-Green-Red)	7775
23	1st I. F. Transformer	32-1288
24	Compensating Condenser (1st I. F. Secondary)	04000X
25	Compensating Condenser (2d I. F. Primary)	04000A
26	2d I. F. Transformer	32-1258
27	Condenser (.00011 Mfd. Twin-Bakelite Block)	8035-K
28	Resistor (.1 Meg. White-White-Orange)	4411
29	Condenser (.05 Mfd. Tubular Paper)	30-4020
30	Volume Control (350,000 ohms Tapped at 75,000)	33-5060
31	Resistor (.25 Meg.) (Red-Yellow-Yellow)	4410
32	Condenser (.01 Mfd. Bakelite Block)	3903-Z
33	Resistor (1 Meg.) (Brown-Black-Green)	4409
34	Resistor (.5 Meg.) (Yellow-White-Yellow)	4517
35	Resistor (10,000 ohms) (Brown-Black-Orange)	4412
36	Shadowmeter	45-2028
37	Condenser (.00011 Mica)	4519
38	Condenser (.09 Mfd.) (Bakelite Block)	4989-N
39	Resistor (50,000 ohms) (Green-Brown-Orange)	4518
40	Condenser (Electrolytic 1 1/2 Mfd.)	30-2029
41	Resistor (.1 Meg.) (White-White-Orange)	4411

No. on Figs.	Description	Part No.
42	Resistor (.5 Meg.) (Yellow-White-Yellow)	4517
43	Condenser (.015 Mfd. Bakelite)	3793AB
44	Condenser (.006 Mfd. Tubular Paper)	30-4024
45	Input (Audio) Transformer	32-7114
46	Resistor (10,000 ohms) (Brown-Black-Orange)	3524
47	Condenser (.01 Mfd. Bakelite Block)	3903-P
48	Output Transformer	32-7078
49	Voice Coil and Cone Assembly	H-13..... 02625 K-17..... 36-3159
50	Field Coil and Pot. Assembly	36-3104
51	Resistor (B) (6500 ohms Wire-wound)	33-3033
52	Resistor (Voltage Divider— 9.5, 112, 84 ohms Wire-wound)	33-3034
53	Tone Control	30-4073
54	Condensers (in Tone Control)	Inside 53
55	Resistor (32,000 ohms) (Orange-Red-Orange)	33-1026
56	Resistor (50,000 ohms) (Green-Brown-Orange)	4518
57	Condenser (Twin .015 Mfd. Bakelite Block)	3793-R
58	Power Transformer	32-7111
59	Condenser (Electrolytic 8 and 10 Mfd.)	30-2045
60	Condenser (Electrolytic 8 Mfd.)	30-2025
61	Condenser (.25 Mfd. Bakelite Block)	6287-N
62	Filter Choke	32-7115
63	On-Off Switch	42-1064
64	Pilot Lamp (Station Selector)	6608
65	Pilot Lamp (Shadowmeter)	Part of 36
66	Resistor (2900 ohms) (Red-White-Red)	5309
	A. C. Cord and Plug Assembly	L-943A
	Tube Shield	28-1107
	4 Prong Socket	7544
	6 Prong Socket	7547
	7 Prong Socket	27-6005
	Speaker Socket	4957
	Knob (Large)	27-4051
	Knob (Small)	27-4052
	Chassis Mfg. Screw	W-1345-A
	Chassis Mfg. Washer	29-2089
	Chassis Mfg. Foot (Rubber)	27-4116
	Chassis Mfg. Foot Plate	27-7497
	Dial Assembly	31-1207
	Dial Scale	27-5049